

**Light bulb dimmer with turn-off switch**

Order-No. : 0300 00

**Operating instructions****1 Safety instructions**

Electrical equipment may only be installed and fitted by electrically skilled persons.

Failure to observe the instructions may cause damage to the device and result in fire and other hazards.

**Danger of electric shock. Always disconnect before carrying out work on the device or load. At the same time, take into account all circuit breakers that supply dangerous voltage to the device or load.**

**Danger of electric shock. Device is not suitable for disconnection from supply voltage. The load is not electrically isolated from the mains even when the device is switched off.**

**Do not connect any electronic lamps, e.g. switchable or dimmable compact fluorescent lamps or LED lamps. Device can be damaged.**

These instructions are an integral part of the product, and must remain with the end customer.

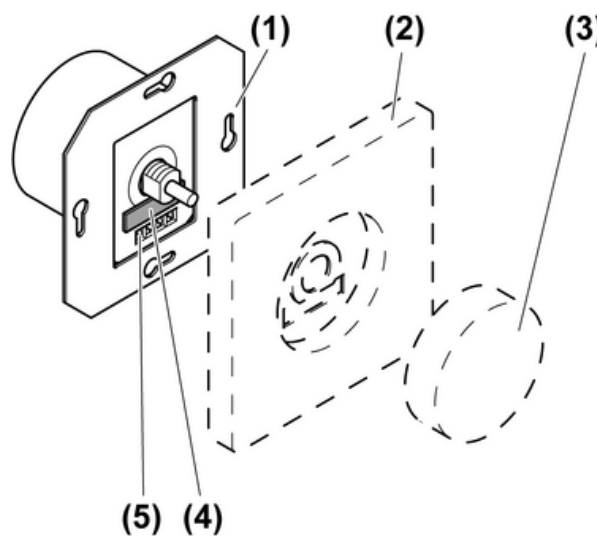
**2 Device components**

Figure 1: Device components

- (1) Dimmer
- (2) Cover
- (3) Control button
- (4) Fuse holder
- (5) Screw terminals

**3 Function****Intended use**

- Switching and dimming incandescent lamps and HV halogen lamps
- Suitable for mixed operation up to the specified output (see chapter 6.1. Technical data)
- Installation in appliance box to DIN 49073

**i** No operation with changeover switch possible.

- i** No operation with transformers possible.

#### Product characteristics

- Phase cut-on dimming principle
- Short-circuit protection through fine-wire fuse
- i** Flickering of the connected lamps due to undershoot of the specified minimum load or through centralised pulses from the power stations and soft humming of the device due to the radio interference suppressor. These are not device faults.

## 4 Operation

- i** Switching and dimming are performed by turning the control button.

#### Switching the light on and increasing the brightness

- Turn control button to the right.

#### Switching the light off

- Turn control button all the way to the left.

## 5 Information for electrically skilled persons

### 5.1 Fitting and electrical connection



#### **DANGER!**

**Electrical shock when live parts are touched.**

**Electrical shocks can be fatal.**

**Before carrying out work on the device or load, disengage all the corresponding circuit breakers. Cover up live parts in the working environment.**

#### Connecting and mounting the dimmer

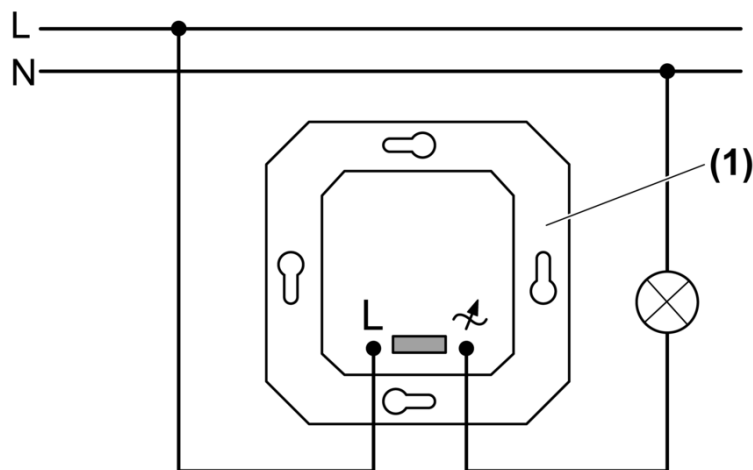


Figure 2: Connection diagram

- Connect the dimmer (1) according to the connection diagram (Figure 2).
- Mount the dimmer in the accessory socket.
- Mount the cover (2).
- Attach the control button (3).

## 6 Appendix

### 6.1 Technical data

Rated voltage	AC 230 V ~
Mains frequency	50 Hz
Ambient temperature	+5 ... +25 °C
Connected load at 25 °C	
Incandescent lamps	60 ... 400 W
HV halogen lamps	60 ... 400 W
Power reduction	
Surface mounting	-5 %
per 5°C in excess of 25°C	-10 %
when installed in wooden or dry construction walls	-15 %
when installed in multiple combinations	-20 %
Connection	
Single stranded	0.5 ... 2.5 mm <sup>2</sup>
Power boosters	See power booster instructions
Fine-wire fuse	D 1.6 H 250



The symbols used to label the dimmer load shows the load type that can be connected to a dimmer and the electric behaviour of a load: R = ohmic

### 6.2 Troubleshooting

**The device cannot be switched on. Or: The device switches the load off and cannot be switched on again.**

Check fine-wire fuse and replace if necessary. Use only original fuses.

### 6.3 Warranty

The warranty is provided in accordance with statutory requirements via the specialist trade.

Please submit or send faulty devices postage paid together with an error description to your responsible salesperson (specialist trade/installation company/electrical specialist trade). They will forward the devices to the Gira Service Center.

**Gira**  
**Giersiepen GmbH & Co. KG**  
 Elektro-Installations-  
 Systeme

Industriegebiet Mermbach  
 Dahlienstraße  
 42477 Radevormwald

Postfach 12 20  
 42461 Radevormwald

Deutschland

Tel +49(0)21 95 - 602-0  
 Fax +49(0)21 95 - 602-399

www.gira.de  
 info@gira.de