

## Dimmer for incandescent and fluorescent lamps 1000 W/VA

Order No. 313 00

### Function

Dimmer with push-button change-over switch for incandescent and fluorescent lamps. For switching and dimming of fluorescent lamps with inductive ballasting unit (heating transformer required) and of general-purpose incandescent lamps.

Switching and dimming commands are given by depressing the control knob.

Switching on/off:           Depress control knob.  
Brightness adjustment:   Turn control knob.

### Warning

#### Important!

Electrical equipment may be installed or fitted by skilled electricians only. Non-observance of the installation instructions may cause fire or other hazards.

### Installation instructions

Connected load equal to 1000 VA for fluorescent lamps or 1000 W for general-purpose lamps. The minimum load required is 25 W to prevent flickering of the lamps connected.

Depending upon the type of installation, the maximum connected load must be reduced by:

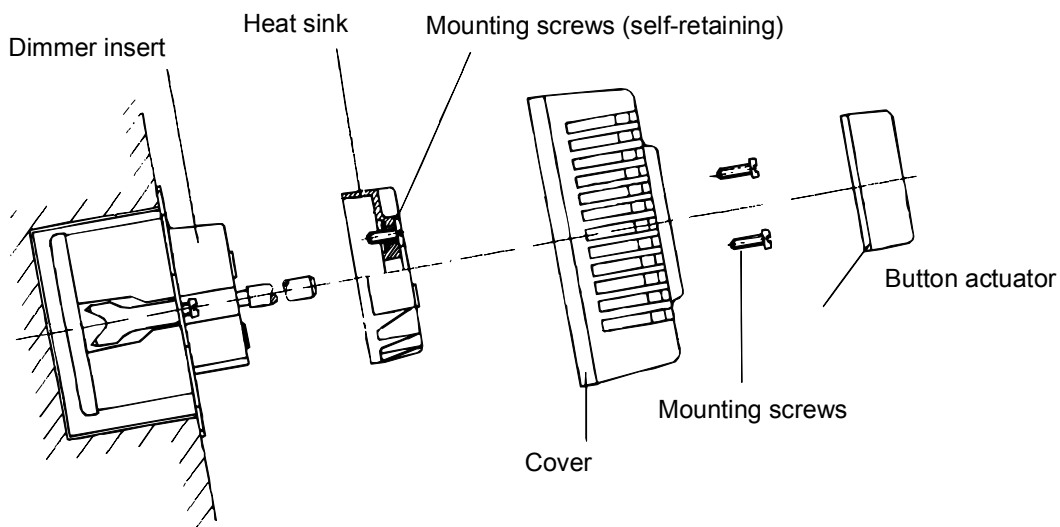
-10 % for every 5 °C over the ambient temperature of 25 °C.

-15 % for installation in wooden, gypsum or hollow walls.

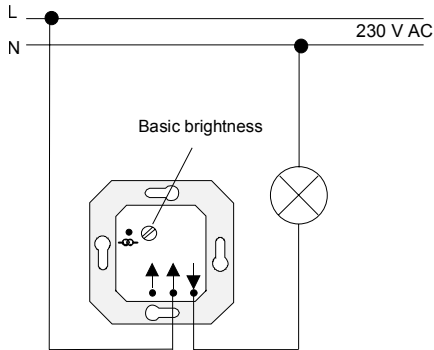
-20 % for installation in multiple combinations.

In case of non-functioning, check microfuse first. Use original fuses only.

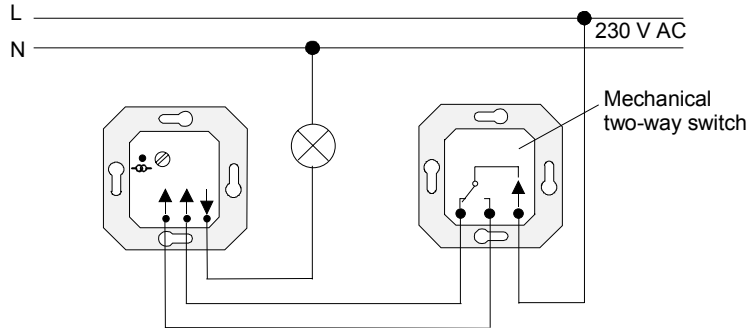
Installation acc. to Fig. ①.



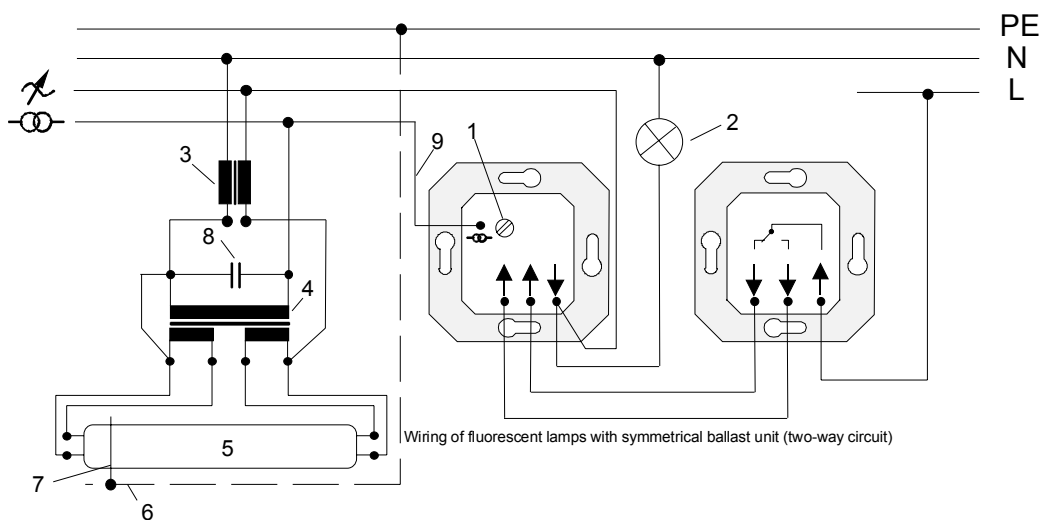
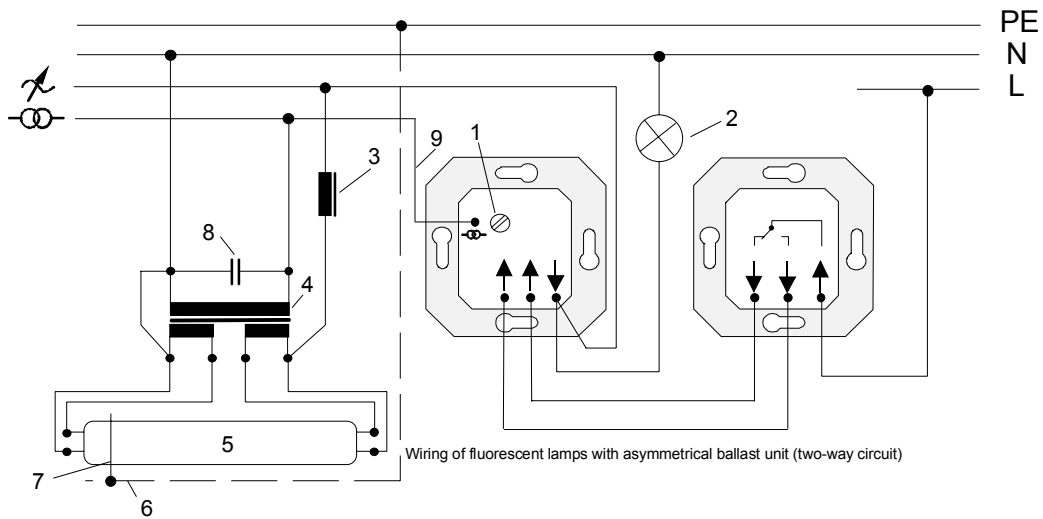
Connection of incandescent lamps acc. to Fig. ②.



Connection of incandescent lamps in two-way circuits, Fig. ③.



Connection of fluorescent lamps, Figs. ④ and ⑤.



- 1) Variable resistor for basic brightness setting
- 2) Base load (min. 25 W light bulb)
- 3) Ballast
- 4) Heating transformer

- 5) Fluorescent lamp (no starter)
- 6) Starting aid
- 7) Clips for grounding of starting aid
- 8) Correction capacitor
- 9) Heating transformer connection

## Adjustment of basic brightness

Turn control knob and variable resistor fully clockwise. Switch on dimmer by depressing the control knob (maximum brightness). Turn control knob fully counter-clockwise (minimum brightness) and variable resistor slowly to the left until the desired basic brightness without flickering is reached.

### Centralised control pulses from the power stations may cause short-time flickering.

The weak humming noise is caused by the unit's interference suppressor choke.

Fluorescent lamps with a tube dia. of 26 mm, such as the so-called "energy-saving lamps" are not suitable for brightness control unless the special "electronic ballasting units" (EVG) are used.

## Specifications

Rated voltage:	230 VAC, 50 Hz
Connected load:	25 - 1000 VA for fluorescent lamps 25 - 1000 W for incandescent lamps
Fuse:	F 3.15 / 250 E
Number of power attachments:	Max. 2 (Do not use any NV or TRONIC power attachments!)
Two-way circuit:	via mechanical two-way switches (Fig. ③). A two-way circuit with two dimmers is not possible
Interference suppression:	Acc. to EN 55014

## Recommended fluorescent lamps for brightness control

Make	Type	Colour of light	Length (mm)	Light flux (lm)	Apparent power (VA)	Filament voltage (V)	Starting aid
Osram	L 40W/21 DS	white	1200	3000	95	6,5	ground ignition foil
Osram	L 40W/31 DS	warm-white	1200	3000	95	6,5	
Osram	L 65W/21 DS	white	1500	5000	150	6,5	
Osram	L 65W/31 DS	warm-white	1500	5000	150	6,5	
Philips	TL-M 40W/33 RS	white	1200	2850	95	3,6	do not ground
Philips	TL-M 40W/83 RS	warm-white	1200	3200	95	3,6	
Philips	TL-M 40W/84 RS	white	1200	3200	95	3,6	
Philips	TL-M 65W/33 RS	white	1500	4750	150	3,6	
Philips	TL-M 65W/83 RS	warm-white	1500	5200	150	3,6	
Philips	TL-M 65W/84 RS	white	1500	5200	150	3,6	
Sylvania	F 40W/CW/IRS	brilliant white	1200	3200	95	3,7	do not ground
Sylvania	F 40W/CWX/IRS	white-deluxe	1200	2000	95	3,7	
Sylvania	F 65W/CW/IRS	brilliant white	1500	5100	150	3,7	
Sylvania	F 65W/CWX/IRS	white-deluxe	1500	3300	150	3,7	

Fluorescent tube	Apparent power	max. number of tubes
		+ 25 W base load
20 W	82 VA	11
40 W	95 VA	10
65 W	150 VA	6

---

## Acceptance of guarantee

We accept the guarantee in accordance with the corresponding legal provisions.

**Please return the unit postage paid to our central service department giving a brief description of the fault:**

Gira  
Giersiepen GmbH & Co. KG  
**Service Center**  
Dahlienstrasse 12  
D-42477 Radevormwald



The CE sign is a free trade sign addressed exclusively to the authorities and does not include any warranty of any properties.

Gira  
Giersiepen GmbH & Co. KG  
Postfach 1220  
D-42461 Radevormwald

Telefon: +49 / 21 95 / 602 - 0  
Telefax: +49 / 21 95 / 602 - 339  
Internet: [www.gira.de](http://www.gira.de)