

## TRONIC Touchdimmer

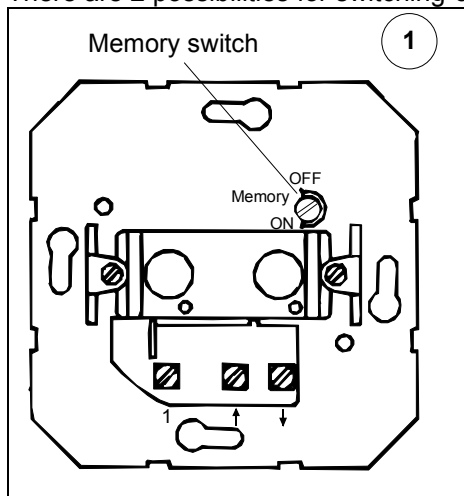
Order No. 0337 00

### Function

TRONIC touchdimmer for switching and dimming of lv-halogen lamps with TRONIC transformers, 230 V standard incandescent lamps as well as hv.halogen lamps.

Switching and dimming commands can be released by pushing the push-button or dimmer or extension. A short touch on the push-button causes switching, a long causes continuous dimming.

There are 2 possibilities for switching-on and dimming (Bild ①):



Memory switch = OFF : Switching-on releases max brightness.  
Dimming starts with min. brightness.

Memory switch = ON: Switching-on to last set brightness.  
Dimming starts with last set brightness.

The TRONIC dimmer is a component of the TRONIC Light Control System.

Interruptions of the 230 V supply lasting longer than 2 sec. are causing a switching-off position and loss of stored value of brightness.

### Short circuit protection:

Switching-off with automatic re-run only for short circuits lasting less than 7 sec. For short circuit lasting longer switching-off remains until manual reswitching-on.

### Protection for overheating

Too high ambient temperature causes switching-off. After cooling down the dimmer has to be reswitched-on manually.

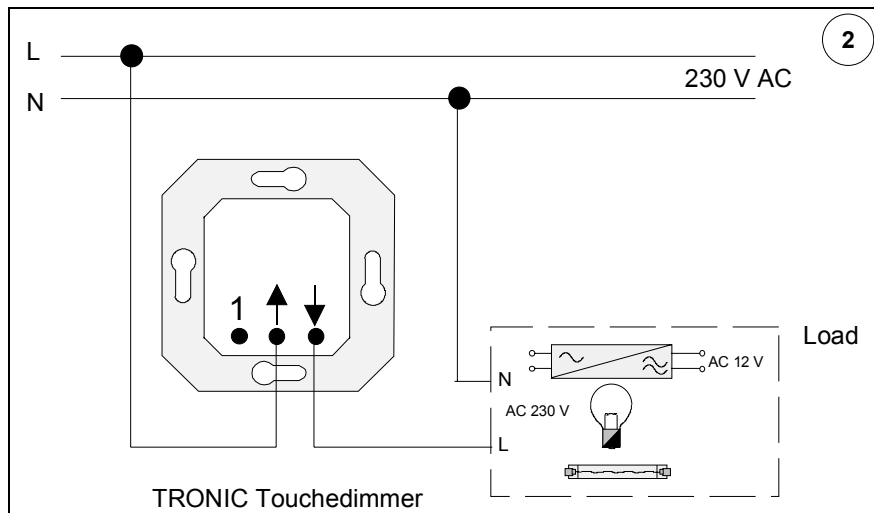
### Indications of Danger

**Caution!** The installation and assembly of electrical equipment may be carried out only by a skilled person.

Not suitable for switching the lines potential free. When the dimmer is switched-off, the load is not disconnected from the mains galvanically.

Disregarding the installation instructions may cause fire or other dangers.

## Instructions for Installation



Maximum load of dimmer 315 W for 230 V incandescent lamps, hv-halogen lamps

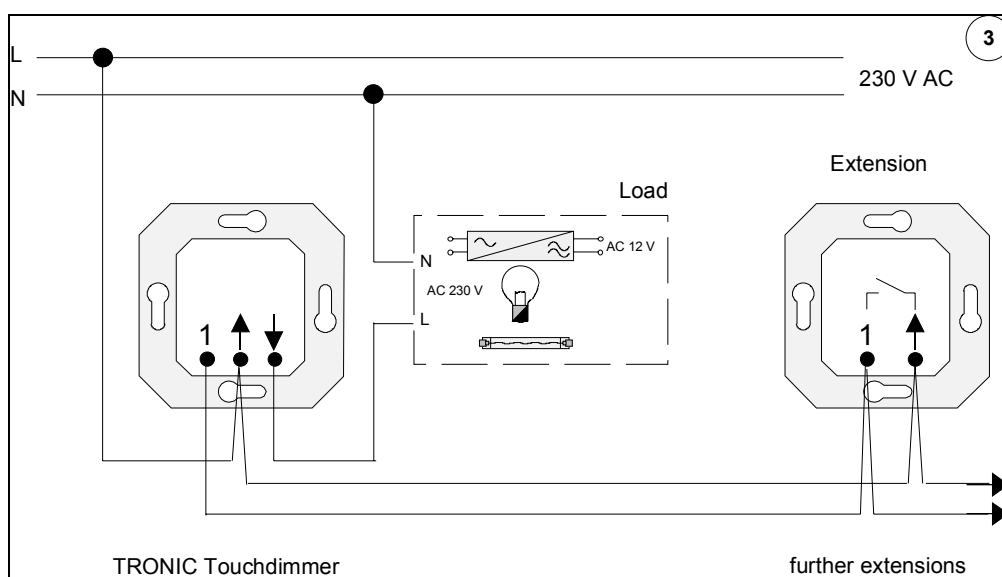
or max. 9 TRONIC transformers 35 W,  
or max. 6 TRONIC transformers 60 W,  
or max. 5 TRONIC transformers 70 W,  
or max. 3 TRONIC transformers 105 W,  
or max. 2 TRONIC transformers 150 W,  
or max. 2 TRONIC transformers 200 W.

The total value of load may not exceed 315 W. A mixed installation of TRONIC transformers with different wattage ratings or TRONIC transformers and incandescent or hv-halogen lamps up to 315 W is possible.

For connexion see fig. 2.

When commands should be released from different places install extensions (fig. 3).

No connexion of inductive loads (e.g. inductive transformers).



Depending on the installation the maximum load must be reduced:  
-10% per 5 °C exceeding the ambient temperature of 25 °C.  
-15% for installation in wooden, false or hollow walls.  
-20% for installation in multiple combinations.

After reaching load limit of TRONIC touchdimmer, up to 10 TRONIC power boosters can be connected to increase maximum load. Please follow technical connexion regulations of power stations.

In a low dimmer position control signals of power stations may be recognized as a short flickering.

## Technical Data

Rated voltage:	230V AC
Rated load:	50 - 315W TRONIC transformers 230V incanddescent lamps hv-halogen lamps mixtures of specified loads
Number of power boosters:	max. 10 TRONIC power booster
Extension:	push-button with a normally open contact f.eg. extension type „A“
Number of extensions:	unlimited
Radio noise suppression:	according to EN 55015

## Acceptance of guarantee

We accept the guarantee in accordance with the corresponding legal provisions.

**Please return the unit postage paid to our central service department giving a brief description of the fault:**

Gira  
Giersiepen GmbH & Co. KG  
**Service Center**  
Dahlienstrasse 12  
D-42477 Radevormwald



The CE sign is a free trade sign addressed exclusively to the authorities and does not include any warranty of any properties.

Gira  
Giersiepen GmbH & Co. KG  
Postfach 1220  
D-42461 Radevormwald

Telefon: +49 / 21 95 / 602 - 0  
Telefax: +49 / 21 95 / 602 - 339  
Internet: [www.gira.de](http://www.gira.de)