

## LV Power Attachment DIN rail mounted device

Order no.: 0354 00

### Function

This low-voltage power attachment extends the power of the **phase-angle** dimmers by 450 VA.

The following dimmers can be used:

**Low-voltage touch dimmers, universal dimmers, low-voltage dimmers with push button-operated two-way switches.**

By parallel connection of several power attachments (max. 10), comprehensive lighting systems consisting of halogen low-voltage lamps with inductive transformers or of incandescent lamps (230 V) can be controlled by one dimmer.

Lamp-saving soft start guarantees optimum lamp life. Due to the system, a turn-on delay of the lamps of approx. 1-2 seconds results at the low-voltage power attachment.

### Short-Circuit Protection

Permanent disconnection in case of short-circuit. Switch off the dimmer. **Disconnect.** Remove the shortcircuit. Re-connect the voltage. Re-start the dimmer.

### Installation Instructions

Use **the same phase** for low-voltage dimmers and low-voltage power attachment. Do not change by mistake L and N on the power attachment. This may cause malfunctioning.

Fig. ① shows the connection of one power attachment.

Fig. ② represents the parallel connection of several power attachments.

Information on connecting extensions to the dimmer can be obtained from the Operating Instructions of the dimmer.

When using low-voltage power attachment, load the dimmer directly in accordance with the dimmer specifications (refer to Figs. ① and ②).

### Overtemperature Protection

Disconnection in case of thermal overloading.  
Automatic re-starting after cooling down.



#### Warning

**Caution! The installation and assembly of electrical equipment may only be performed by a skilled electrician.**

**Not suitable for disconnecting. This power attachment does not galvanically separate the load from the mains.**

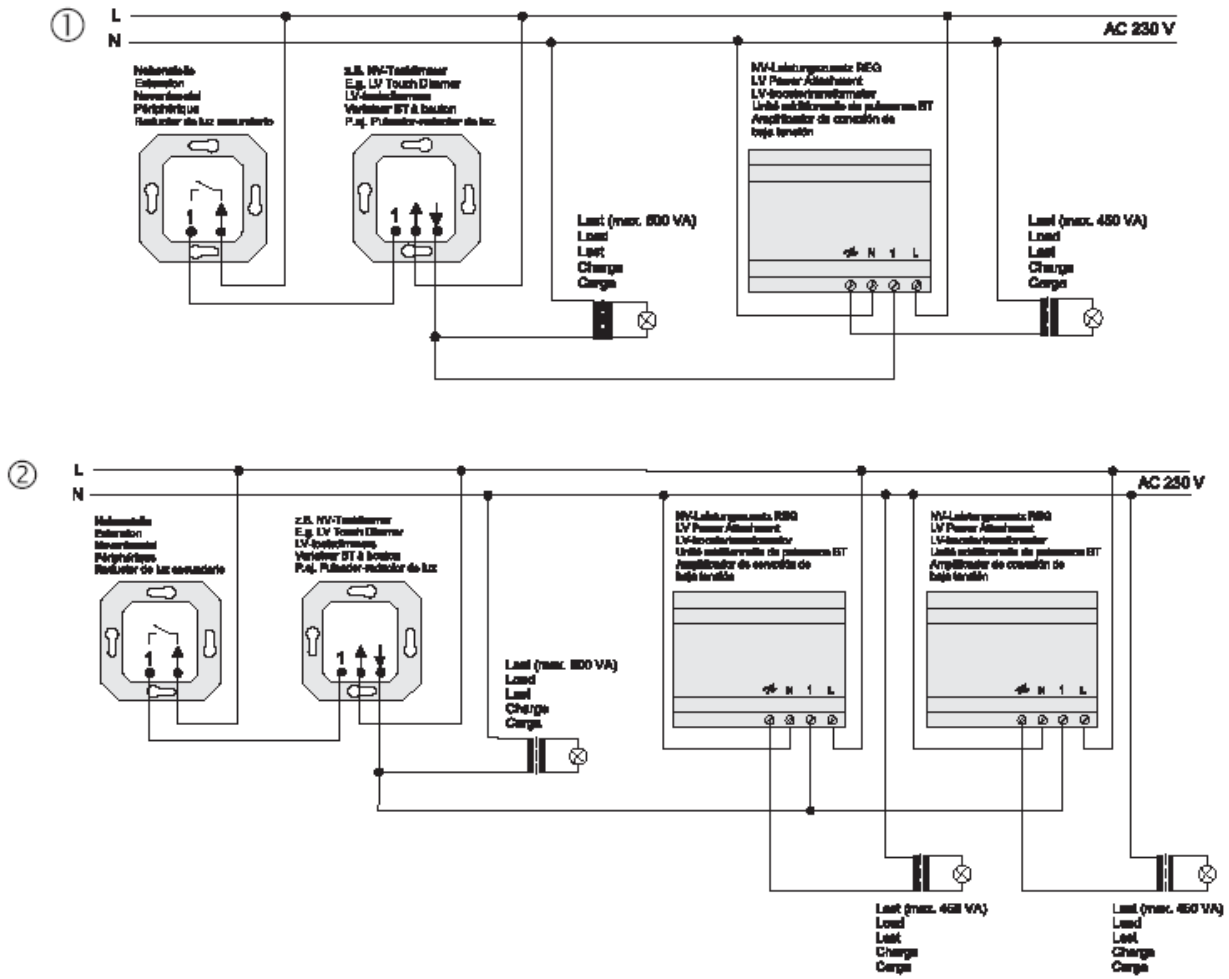
**Non-observance of the installation instructions may result in fire or other hazards.**

Depending upon the mains voltage and the type of lamp chosen, slight brightness differences between the dimmer load and the load on the low-voltage power attachment may result.

The total load (including the transformer loss) must not exceed 450 VA.

Observe the Technical Connection Specifications (TAB) of the electricity works when performing the installation.

For lighting systems with a power in excess of 3500 W, the installation must be distributed over two circuits, however, of the same phase. The automatic circuit breakers of these circuits must be mechanically coupled in order to guarantee the disconnection of all poles of the lighting system.



## Specifications

Rated voltage: 230 V AC, 50 Hz

Installed load: 100 - 450 VA  
Incandescent lamps  
Halogen low-voltage lamps with inductive transformer  
Mixed loads of the types specified

Soft start: Approx. 1 - 2 sec.

Short-circuit protection: Disconnection within approx. 100 ms

Ambient temperature (Ta): 45 °C

Enclosure temperature (Tc): 75 °C

Dimensions: 4 PU

Protective system: IP 20

Connection terminals: , N, 1, L



The symbols used to identify dimmer loads designate the type or the electrical behaviour of loads connected to dimmers: R = ohmic, L = inductive

## Acceptance of guarantee

We accept the guarantee in accordance with the corresponding legal provisions.

**Please return the unit postage paid to our central service department giving a brief description of the fault:**

Gira  
Giersiepen GmbH & Co. KG  
**Service Center**  
Dahlienstrasse 12  
D-42477 Radevormwald

---

Gira  
Giersiepen GmbH & Co. KG  
Postfach 1220  
D-42461 Radevormwald

Telefon: +49 / 21 95 / 602 - 0  
Telefax: +49 / 21 95 / 602 - 339  
Internet: [www.gira.de](http://www.gira.de)