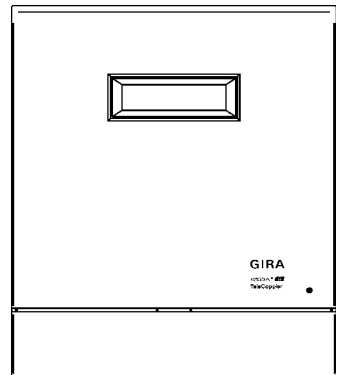


GIRA



TeleCoppler

Version 5.0

Operating instructions

Table of Contents

General Function	3
Connection	
Wall Mounting	4
Connection of the Power Supply	5
Terminal Screw Assignment	6
Operation with Current Impulse Switches	7
Terminal Screw Assignment at Use with Current Impulse Switches ..	8
Putting into Operation	
Installation	9
Putting into Operation	9
Default Settings	
Factory Settings	9
Conventional Devices	10
Settings	11
Programming Branch	12
Ringing Signals until Activation	13
Phone Numbers for Alarms	14
Code Number	16
Dialling Method	17
Recording of Individual Texts	18
Programming of the EIB*-Bus Coupling Unit	20
Function at Power Failure	20
Function	21
Switching of Conventional Devices	21
Correction of wrong code number	22
Controlling the State of the Devices	22
Switching of EIB Device Functions	23
Sending of Messages	24
Hints for Operation	
Overview of the Functions and Function Numbers	26
Overview of the Display Texts	27
Overview of the given Announcement Texts	28
Technical Data	29
Acceptance of guarantee	31
Service	31
CE	31
EIB-Approval	31

General Function

Hint: This operating instruction is valid from software-version 5.0.

The TC is a telecontrol for switching devices connected to the TC via the telephone network. The state of these outputs will be saved during a power failure. In addition it will send alarm messages to chosen parties (see phone numbers for alarm) from 4 alarm inputs (M1 to M4).

Additionally, when connected to the EIB, up to 6 device functions can be controlled and 2 EIB-alarms can be processed.

A local alarm will be set, if the alarm messages have not been confirmed.

The controlling will either be performed with a DTMF-telephone DTMF = Dual-tone multi-frequency or with a DTMF pocket dialler (available as accessory).

If an answering machine is being used at the same subscriber line as the TC, either the answering machine or the TC can be selected at incoming calls.

Individual user data are easy to program.

The operation is supported by texts on the 16 character and 2 lines LCD and by announcements. The display messages can be set to 6 different languages.

Messages will be sent to the called parties through announcements. The amount of alarm calls can be set. The announcements can be individually recorded by

the user. In order to do this, the handset (option) with the 4-way RJ-conector has to be inserted in the outlet (see page 6 or 8).

The examples shown in chapter Function will explain the operation.

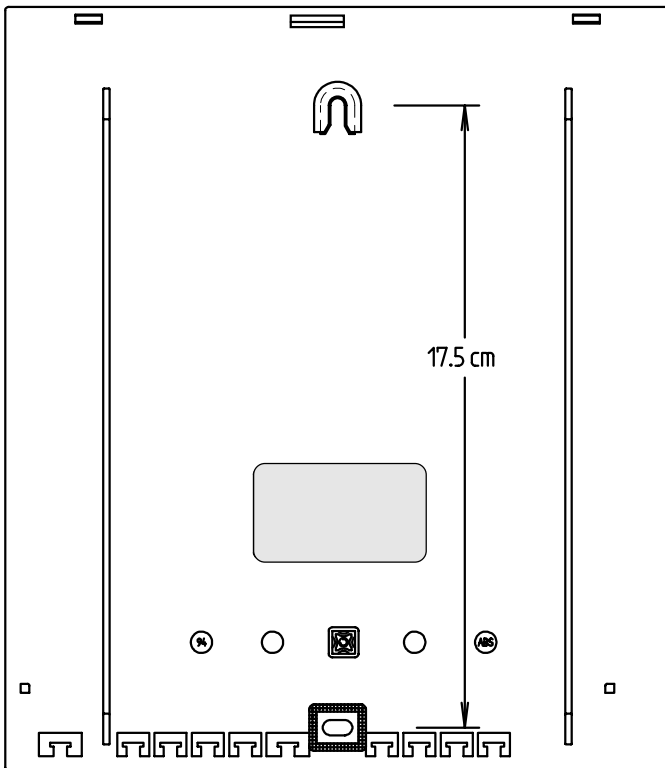
Connection

Wall Mounting

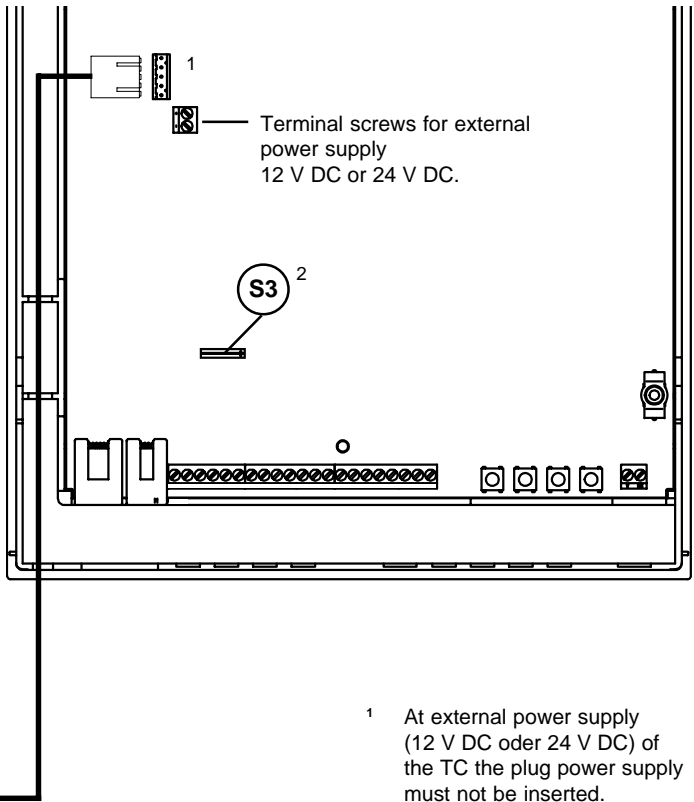
The TC must be installed in dry areas with ambient temperatures between $-5\text{ }^{\circ}\text{C}$ and $+45\text{ }^{\circ}\text{C}$, preferably, close to a telephone jack.

The TC will be delivered with two dowels and two screws. Easy wall mounting is, therefore, possible.

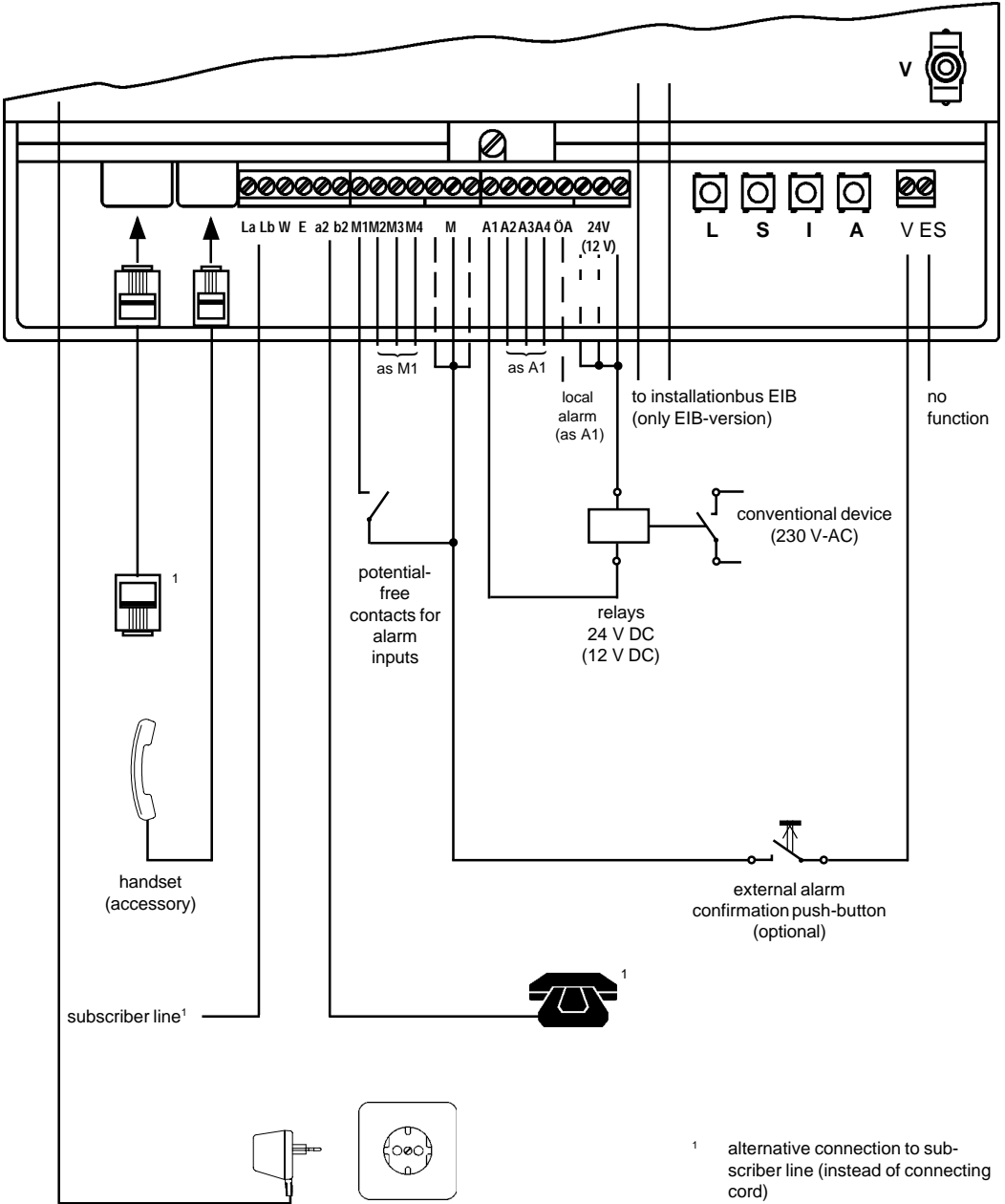
- 1 Mark the drill holes perpendicular adjusted at a distance of 17.5 cm.
- 2 Drill two holes (6 mm diameter) and insert the dowels.
- 3 Tighten the upper screw until its screwhead sticks out about 5 mm.
- 4 Hang the TC with the upper mounting support in the screw.
- 5 Pull down the terminal screw cover.
- 6 Tighten the lower screw in the terminal screw area.



Connection of the Power Supply



Terminal Screw Assignment



Operation with Current Impulse Switches

The TC has been developed for switching on and off electrical devices by use of the telephone. Each switching procedure with the telephone will be stored in the TC, so that if the state of the connected devices is requested, there will be an announcement whether or not the devices are switched on or off.

In some cases the installation of additional push-buttons might be useful or necessary. In the basic settings the TC can not recognize a change of the state performed by a push-button. By closing the jumper **S1** (see diagram) the outputs **A3** and **A4** will be configured for the use with current impulse switches. At the same time the alarm inputs **M3** and **M4** will be set to report the correct state of the current impulse switches. For this reason current impulse switches with two make or switchover contacts should be used in order to report the actual state of the current impulse switches at the alarm input with one of these make or switchover contacts. This is important because the announcements refer to the state of the alarm inputs (M3 and M4) and not directly to the state of the outputs (A3 and A4).

The outputs **A1** and **A2** and the local alarm **ÖA** remain unchanged for switching exclusively with the TC.

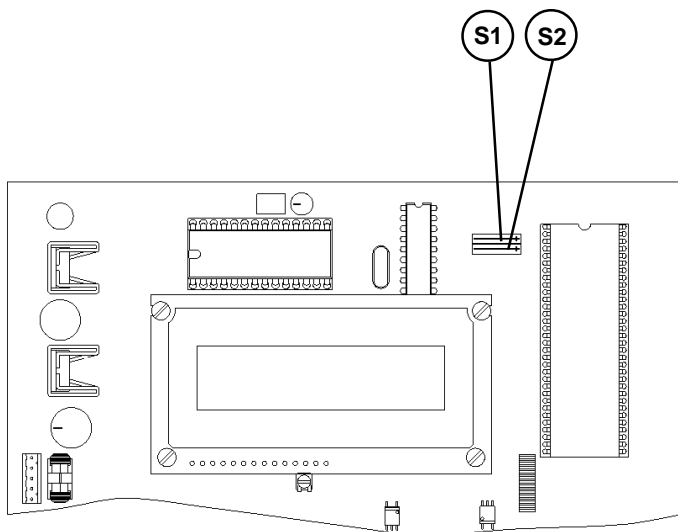
The alarm inputs **M1** and **M2** are still available, for the connection of potential free alarm contacts.

The terminal assignment when using current impulse switches is shown on the following page.

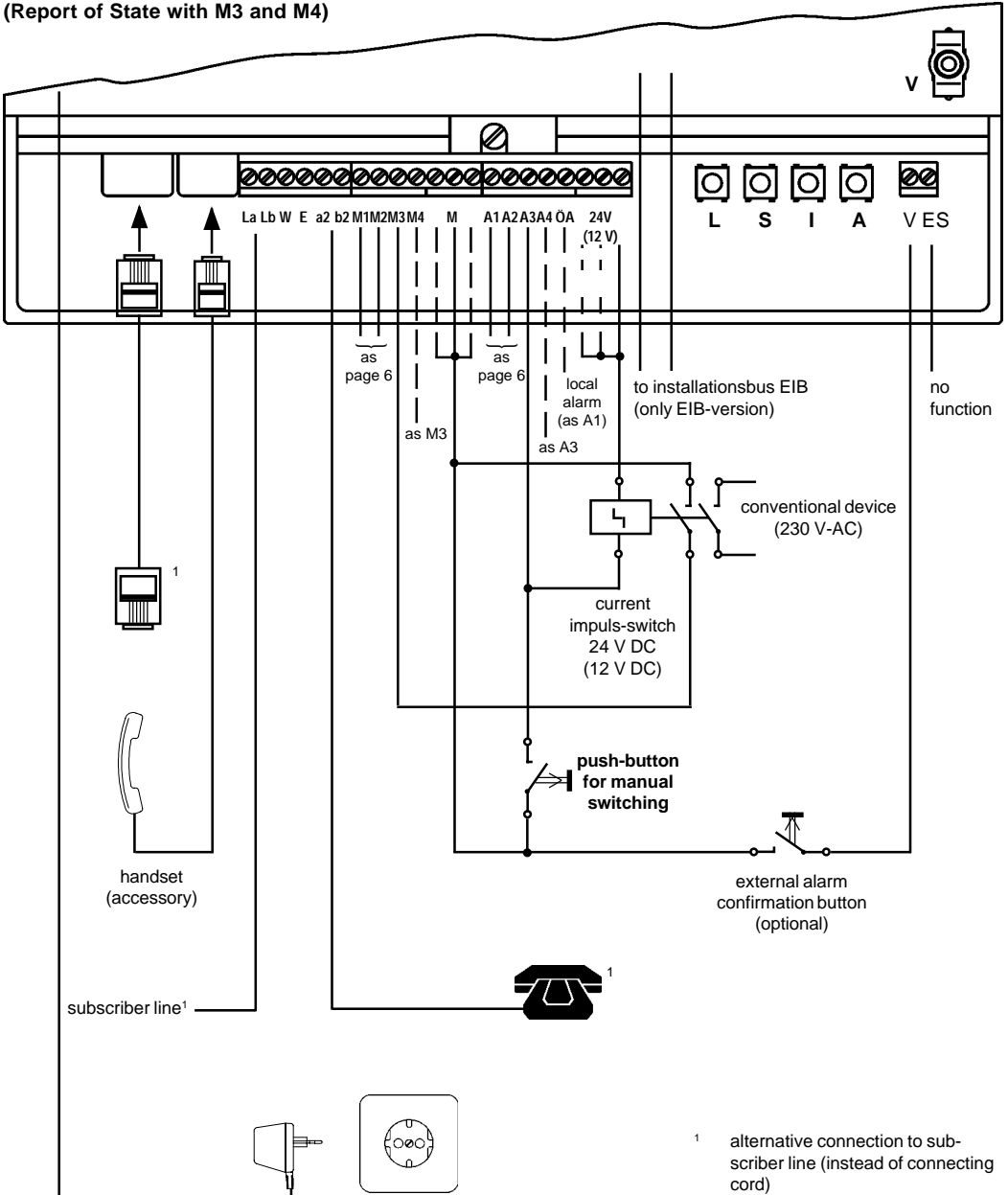
When using the plug power supply RNG 3, the voltage at the outputs is 24 V. If an external power supply is being used (12 V DC or 24 V DC), the according voltage at the outputs is available.

S1 = closed:
S1 = open:
S2 = closed:
S2 = open:

Current impulse switch outputs
No current impulse switch outputs
No EIB
EIB



**Terminal Screw Assignment at Use with
Current Impulse Switches
(Report of State with M3 and M4)**



Putting into Operation

Installation

Before working on the installation, unplug the power supply.

Changes at the TC are only possible if done within the limits and according to the description in this manual.

The installation must be carried out professionally.

Please take into account, that the performance of the TC with PABXs can be improved, in case of a power failure, when the TC is installed before the PABX.

Putting into Operation

- 1 Connect the conventional devices (A1 to A4 and ÖA), according to the diagram on page 6 or 8.
- 2 Plug power supply into 230 V outlet or connect the external power supply at "+" and "-". After the connection with the power supply the display will show "TC x.x configuration".
- 3 Connect the subscriber line at LA and LB (ring and tip).
- 4 Do not connect answering machines or fax machines at the same subscriber line.

Now the TC is ready for operation.

The connection of the EIB devices has to be carried out according to the descriptions given by manufacturers.

Default Settings

Factory Settings

The TC will be delivered with the following settings:

- Programming: 0
- Activated at: 2 ringing signals
- Phone number 1: none
- Phone number 2: none
- Phone number 3: none
- Code number: 0000
- Dialling method: pulse dialling
- Alarm calls: 12
- Language: English
- Announcement texts: are given (see page 31)
- S1: open
- S2: closed
- S3: open

Conventional Devices

With the factory settings the TC has 5 outputs 24 VDC (12 VDC) available, at which 4 devices and one local alarm over 24 V relays can be connected. The outputs are short-circuit proof and allow each a maximum load of up to 50 mA, if being used with the shipped plug power supply RNG 3. At external 24 VDC or 12 VDC power supply the outputs will allow a maximum load of up to 500 mA.

The TC is equipped with a line control. About 40 seconds after an interruption of the telephone line, respectively, 15 seconds after a short circuit of the telephone line, the local alarm output will be set and "Line fault" will appear on the display. The alarm confirmation push-button will reset the local alarm output.

The alarm confirmation push-button is also accessible at the screw terminal block in order to be able to connect an external push-button. The screw terminals are marked with M and V.

Settings

The performance features of the TC can be set to accommodate the needs of the user. All settings will be saved in case of a power failure.

Before putting into operation for the first time, there are some necessary parameters to be programmed.

The settings will be done with the push-buttons in the terminal

screw area. The push-buttons have - depending on the programming branch - different meanings.

Push-button	L	S	I	A	V
Parameter	Clear	Position	Increment	Confirmation	Escape
Texts	Playback	Stop	Record	Confirmation	Escape

Parameter

With push-button **A** you confirm, respectively, save the current settings on the display and automatically switch to the next parameter.

Every activation of push-button **I** changes the shown position of the cursor. The actual digit will increase by one or will change between 0 and 1 at digital states. During the programming of phone numbers for alarms, you can also program a 2 second pause with the push-buttons (P), outside line access with grounding (E) or a dial tone control (W).

Activation of push-button **S** allows the cursor to move to the next position to the right.

With the push-button **L** the shown values will be cleared (e.g. code number or phone numbers 1 to 3). After clearing, the cursor will

be placed back to the first position.

The push-button **V** allows for interruption of the programming mode at all times. The TC will return back to the normal mode.

Texts

With push-button **A** you save the current settings and automatically switch to the next announcement.

The recording of texts will be started with push-button **I**.

Push-button **S** will stop the recording.

The push-button **L** will playback the last recorded announcement.

The push-button **V** allows for interruption of the programming mode at all times. The TC will return back to the normal mode.

Only parameters which have been confirmed with push-button **A** will be saved.

If a push-button is not pressed within 20 seconds, the TC will leave the programming mode. In the following procedures the display messages are shown as examples.

Programming Branch

The TC allows the programming of parameters (ringing signals until activation, phone numbers for alarm, code number, dialling method, alarm calls and lan-

guage) and recording of new texts. Therefore, the programming branch must be selected before the actual input.

Operation

Press **A** until display

Select with **I** and/or confirm with **A**

or press **V**

Display

Active devices:

—

Programming:

0 Val.=0 Text=1

Activated at

2 ringing signals

Active devices:

—

Settings

Ringing Signals until Activation

With this parameter one can program the number of ringing signals, maximum of 9, until the TC answers the phone call. Up until this point it is possible to answer

the phone call at the telephone. If a "0" has been programmed, the TC can answer a phone call through a special procedure (s. page 28), alarms can still be sent.

This setting is recommended for uses with answering machine.

Operation

Press **A** until display

Press **I** until the right digit appears

Confirm with **A**

or press **V**

Display

Active devices:

—

Activated at
2 ringing signals

Activated at
5 ringing signals

Phone no. 1:

—

Active devices:

—

Phone Numbers for Alarms

You can program a maximum of up to three 16-digit phone numbers, where occurring alarms should be sent (e.g. guard room). Phone number 1 will be called first. If the call is not confirmed within 1 minute with *, the TC will dial phone number 2. Only if the call is also not confirmed within 1 minute, phone number 3 will be dialled. This procedure will be repeated three times.

12 call establishment trials will be carried out altogether. If only two phone numbers are programmed, they will each be called six times. If confirmation does not occur then, the local alarm will be set and "No success" will appear on the display. If no phone number is programmed, the local alarm will immediately be switched on. During the programming of the phone numbers for alarms, you can also

enter PABX specific features, for instance, dialling pause between outside line access number and phone number (P), ground as outside line access (E)¹⁾ or dial tone control (W). During an active dial tone control, the call will be disconnected, if no dial tone is recognized. The TC will then proceed with the next phone number.

Operation

Press **A** until display

Press **L** to clear or **I** until the right digit appears

Press **S** for the next position

Continue until the right number is displayed

Confirm with **A**
Same procedure as at phone number 1

Confirm with **A**
Same procedure as at phone number 1

Confirm with **A**

or press **V**

Display

Active devices

—

Phone no. 1:

—

Phone no. 1:

0

Phone no. 1:

0_

Phone no. 1:

0P4711

Phone no. 2:

—

Phone no. 2:

0P2355

Phone no. 3:

—

Phone no. 3:

58579

Code number:

0000

Active devices

—

¹⁾ In this rare case a special relay has to be installed and a connection to ground must be made at the terminal E.
For further information consult the manufacturer.

Settings

Phone Numbers for Alarms

The phone number 1 can be changed from a distance by calling the TC. A DTMF-telephone or a DTMF pocket dialler is prerequisite. Instead of the last digit of the code number a "*" has to be dialled and after three subsequent tones, the phone number has to be dialled.

Each digit has to be dialled within 4 seconds. For confirmation the user becomes an announcement of the programmed phone number after 4 seconds. If necessary, the phone number can be changed after the announcement.

For PABXs a „#" for grounding and a „*" for a 2 second dialling pause can be programmed.

Example: (Precondition: code number 1234)

Operation

Two ringing signals are sent

Dial code number 1 2 3 *

Dial phone number 1 (e.g. 0*4711)

After 4 seconds

Announcement

Here is the Telecontrol. Please dial the code number.



0, pause, 4, 7, 1, 1

Display

Active devices

—

Phone no.

—

Phone no.

0P4711

Active devices

—

Code Number

With this function you can change the default code number (0000) at any time. The code number must always contain 4 digits. It will be tested as a 4 digit block, in

order to prevent manipulation. After three unsuccessful trials, the connection will be released automatically. The code number should be changed at least once

a month, in order to increase additional access safety for your TC.

Operation

Press **A** until display

Press **L** to clear or press **I** until the right digit appears

Press **S** for the next position

Press **I** until the right digit appears

Press **S** for the next position

Press **I** until the right digit appears

Press **S** for the next position

Press **I** until the right digit appears

Confirm with **A**

or press **V**

Display

Active devices:

—

Code number:
0000

Code number:
1000

Code number:
1000

Code number:
1200

Code number:
1200

Code number:
1230

Code number:
1230

Code number:
1234

Dialling method:
1 Pul.=0 DTMF=1

Active devices:

—

Special Function:

If the code number "1111" is programmed, the code number will not be needed at incoming external calls. After the message "Here is the TeleControl, please dial a digit", devices can be switched immediately.

Settings

Dialling Method

You can program the dialling method. If you are not sure about the dialling method of your telephone line, ask your telephone company.

Operation

Press **A** until display

Press **I** for Pulse dialling

Confirm with **A**

or press **V**

Display

Active devices

—

Dialling method:

1 Pul.=0 DTMF=1

Dialling method:

0 Pul.=0 DTMF=1

Active devices

—

Settings

Alarm calls

The amount of the alarm calls carried out by the TC can be set from "0" up to "12".

The three programmed phone numbers will be called one after the other until the amount of alarm calls has been reached or the alarm has been confirmed from one of the called parties.

Example:

When alarm is set to 5, calling sequence is as follows:

Phone number 1, phone number 2, phone number 3, phone number 1 and phone number 2 will be called one after the other.

Operation

Press **A** until display

Press **I** until the right digit appears

Confirm with **A**

or press **V**

Display

Active devices

–

Alarm calls:

11

Alarm calls:

07

Language:

English

Active devices

–

Settings

Language

The language of the display messages can be set to either English, Spanish, French, Dutch, Polish or German.

Hint:

The speech announcements will not be changed with this setting.

Operation

Press **A** until display

Press **I** until the appropriate language appears

Confirm with **A** or press **V**

Display

Active devices

—

Language:

English

Lingua:

Espanol

Aparatos activos

Recording of Individual Texts

Instead of the given announcements, you can use your own personal announcement, in order to allow the TC to answer with your name or telephone number. You can change all or only some of the announcements. For each announcement you have ca. 3 seconds available for recording. The display shows the corre-

Operation

Press **A** until display

Press **I** until the right digit appears

Press **A**

Press **I** for recording

Make announcement

Press **S** for stop

Press **L** for playback

Press **A**

Same procedure as with announcement

Press **A**

Same procedure as with announcement

Press **A**

Same procedure as with announcement

sponding text and a bar, which will get shorter during recording and playback to indicate how much time is left for your announcement. For recording you have to insert the handset (option) in the marked outlet, and speak into the microphone. You start the recording with push-button **I** and stop it with **S**. You can

Display

Active devices:

—

Programming:

0 Val=0 Text=1

Programming:

1 Val=0 Text=1

Announcement

Announcement

Announcement

Announcement

Announcement

Code number-text:

Code number-text:

Error-text:

Error-text:

Device select:

Device select:

playback the announcement with **L**. If you are satisfied with your recording, you press push-button **A** for confirmation and storing of your text. For texts which need to be changed, see the following chart.

Settings

Press **A** Confirmation:

Confirmation:

Press **A** Device-1-On-Text:

Device-1-On-Text:

Press **A** Device-1-Off-Text:

Device-1-Off-Text:

Press **A** Alarm-1-Text:

Alarm-1-Text:

Repeat for up to 4 alarm inputs

Press **A** EIB-1-On-Text:

EIB-1-On-Text:

Press **A** EIB-1-Off-Text:

EIB-1-Off-Text:

Repeat for up to 6 EIB-devices

Press **A** EIB-Alarm-1-Text

EIB-Alarm-1-Text

Repeat for 2 EIB-devices

Press **A** Active devices:
--

Programming of the EIB-Bus Coupling Unit

The installation and programming of the EIB-Bus Coupling Unit takes place with a special EIB Tool Software (ETS). Further information can be obtained from the appropriate document. In the ETS the TC can be found in the product family

Symbol:



Product family: communication

Product type: modem

Function at Power Failure

During a power failure or at unplugged power supply, the settings will be saved and are at ones disposal after the power returns, respectively, the power supply is plugged in. The display will show "TC x.x configuration". The state of the conventional outputs will be saved during a power failure and will be restored after the power returns. At a power failure all devices which have been activated from the TC will be switched off, all other devices remain in their state.

The state of the outputs A3 and A4 will not be changed at activated current impulse mode.

By using an emergency power supply, the effects of a power failure can be avoided.

Function

Switching of Conventional Devices

The device number can be placed between 1 and 4. For complete information about the state of the devices, the "#" must be dialled (see page 24 and the overview on page 29).

Preconditions for the example:
(Factory setting;
devices 1 and 4 are switched on,
and devices 2 und 3 are switched off)

Operation

Two ringing signals are sent

Dial code number **0 0 0 0**¹

Dial digit (e.g. 1)

The switching of devices occurs in the following manner:

By dialling the device number, the device will alternately be switched on and off.

Announcement

Here is the Telecontrol. Please dial the code number.

Please dial the device number.

The device 1 is switched off.

If an alarm is set during activation, it will be announced directly. After the confirmation with * the operation can be continued.

Correction of wrong code number

Operation

Two ringing signals are sent

Dial code number **1 3 4 5**²

Dial code number **0 0 0 0**

Dial digit (e.g. 2)

Announcement

Here is the Telecontrol. Please dial the code number.

The code number is wrong.
Please dial the code number.

Please dial the device number.

The device 2 is switched on.

¹ If the TC is being used within a PABX, it might be necessary to switch the PABX transparent to DTMF- signals, so that the incoming DTMF- signals will not be processed from the PABX. For further details see your operation manual from PABX.

² After three faulty trials the connection will be released.

Function

Controlling the State of the Devices

Operation

Two ringing signals are sent

Dial code number **0 0 0 0**

Dial # for the state of devices

or

Dial # and dial device number x within 2 seconds

Directly after the announcement about the state of devices, the devices can be switched.

Announcement

Here is the Telecontrol. Please dial the code number.

Please dial the device number.

The device 1 is switched on.
The device 2 is switched off.
The device 3 is switched off.
The device 4 is switched on ...

Please dial the device number.

The device x is switched on/off.

Please dial the device number.

Switching of EIB Device Functions

EIB device functions are activated analogous to the conventional devices, however, they begin with the device number 5 for the first device at the installation bus EIB. Six EIB devices (device numbers 5, 6, 7, 8, 9, and 0) can be switched with this TC.

Function

Sending of Messages

The four conventional alarm inputs (at use with current impulse switches only at alarm input 1 and 2) and two EIB device functions 7 and 8 will send off an alarm message to the pro-

grammed phone number. The message will be directly announced at an existing call of the TC. (Preconditions for the examples: factory setting;

phone number 1: 1111;
phone number 2: 2222;
phone number. 3: 3333,
device 1,2 and 4 are switched on)

Operation

TC dials phone number 1

Subscriber does not confirm the alarm.

After about 1 minute:
TC dials phone number 2

Subscriber confirms with *

The EIB-device, which set the alarm, will be set back.

Dial code number **0 0 0 0**

Dial digit (e.g. **3**)

After return:
Press push-button **V** on the TC to reset the display

Announcement

Here is the Telecontrol. The EIB-Alarm 1 has been activated.

Here is the Telecontrol. The EIB-Alarm 1 has been activated.

The alarm has been confirmed.

Here is the Telecontrol.
Please dial the code number.

Please dial the device number.

The device 3 is switched on.

Display

Active devices
12 4

Dialling phone no. 1
1111

Dialling phone no. 2
2222

Alarm confirmed:
2222

Active devices
1234

If the alarm from subscriber 1 was not confirmed after one minute, the TC will dial the second phone number and if necessary, after another minute phone number 3.

If no device has to be switched, the subscriber can end the call with * instead of dialling the code number.

If all 12 call establishment trials stay unconfirmed, the local alarm will be set.

An alarm can also be confirmed directly at the TC (push button V). Then, the display will show: "Alarm confirmed: at TC".

Function

Answering machine mode

If the call acceptance "Activated at x ringing signals" is set to "0", the TC will not answer incoming calls. However, if the caller hangs up after a ringing sequence, waits for 10 seconds and calls again

within 60 seconds, the TC will answer the incoming call after the first ringing signal. With this procedure, either the answering machine or the TC can be selected.

Operation

A ringing sequence is sent

The caller hangs up

The caller calls again within 60 seconds

A ringing sequence is sent

Alternatively:

The TC-subscriber-line will be called

After the xth¹ ringing sequence

Announcement

Here is the Telecontrol.
Please dial the code number.

Function

The TC is not answering the phone call.

The answering machine is answering the phone call.

¹ x: Amount of ringing signals to activate the answering machine

Hints for Operation

Overview of the Functions and Function Numbers

<u>Function number</u>	<u>Function</u>
1	Switching of device 1
2	Switching of device 2
3	Switching of device 3
4	Switching of device 4
5	Switching of EIB-function 1
6	Switching of EIB-function 2
7	Switching of EIB-function 3
8	Switching of EIB-function 4
9	Switching of EIB-function 5
0	Switching of EIB-function 6
*	Confirmation/call release
#	Complete state request (after 2s)
#1	State request device 1
#2	State request device 2
#3	State request device 3
#4	State request device 4
#5	State request EIB-function 1
#6	State request EIB-function 2
#7	State request EIB-function 3
#8	State request EIB-function 4
#9	State request EIB-function 5
#0	State request EIB-function 6

Hints for Operation

Overview of the Display Texts

Dialing phone no —	Device select	EIB-1-Off-Text:
Alarm confirmed:	Confirmation	EIB-2-On-Text:
TC x.x configuration	Device-1-On-Text	EIB-2-Off-Text:
Active devices: -	Device-1-Off-Text	EIB-3-On-Text:
Programming: <u>0</u> Val=0 Text=1	Device-2-On-Text	EIB-3-Off-Text:
Activated at <u>2</u> ringing signals	Device-2-Off-Text	EIB-4-On-Text:
Phone no. x: —	Device-3-On-Text	EIB-4-Off-Text:
Code number <u>0000</u>	Device-3-Off-Text	EIB-5-On-Text:
Dialling method <u>1</u> Pul.=0 DTMF=1	Device-4-On-Text	EIB-5-Off-Text:
Alarm calls: <u>11</u>	Device-4-Off-Text	EIB-6-On-Text:
Language: English	Alarm-1-Text:	EIB-6-Off-Text:
Announcement	Alarm-2-Text:	EIB-Alarm-1-Text
Code number-Text:	Alarm-3-Text:	EIB-Alarm-2-Text
Line fault	Alarm-4-Text:	No success
Error-Text:	EIB-1-On-Text:	

**Overview of the given
Announcement Texts**

Message-type

Announcement

Your Announcement

Announcement:

Here is the Telecontrol.

Code number:

Please dial the code number.

Error-Text:

The code number is wrong.

Device select::

Please dial a digit.

Confirmation:

The alarm has been confirmed.

Device-1-On-Text:

The device 1 is turned on.

Device-1-Off-Text:

The device 1 is turned off.

Device-2-On-Text:

The device 2 is turned on.

Device-2-Off-Text:

The device 2 is turned off.

Device-3-On-Text:

The device 3 is turned on.

Device-3-Off-Text:

The device 3 is turned off.

Device-4-On-Text:

The device 4 is turned on.

Device-4-Off-Text:

The device 4 is turned off.

Alarm-1-Text:

The alarm 1 has been activated.

Alarm-2-Text:

The alarm 2 has been activated.

Alarm-3-Text:

The alarm 3 has been activated.

Alarm-4-Text:

The alarm 4 has been activated.

EIB-1-On-Text:

The EIB-device 1 is turned on.

EIB-1-Off-Text:

The EIB-device 1 is turned off.

EIB-2-On-Text:

The EIB-device 2 is turned on.

EIB-2-Off-Text:

The EIB-device 2 is turned off.

EIB-3-On-Text:

The EIB-device 3 is turned on.

EIB-3-Off-Text:

The EIB-device 3 is turned off.

EIB-4-On-Text:

The EIB-device 4 is turned on.

EIB-4-Off-Text:

The EIB-device 4 is turned off.

EIB-5-On-Text:

The EIB-device 5 is turned on.

EIB-5-Off-Text:

The EIB-device 5 is turned off.

EIB-6-On-Text:

The EIB-device 6 is turned on.

EIB-6-Off-Text:

The EIB-device 6 is turned off.

EIB-Alarm1-Text:

The EIB-alarm 1 has been activated.

EIB-Alarm2-Text:

The EIB-Alarm 2 has been activated.

Technical Data

Dimensions

LxWxH (in mm):	220 x 180 x 40
Weight:	570 g
Length of power supply cord:	1,6 m
Color:	RAL 9010
Material:	ABS

Temperature

Operation temperature:	-5 °C bis 45 °C
Storage temperature:	-25 °C bis 70 °C

Protection class:	IP 30 according to EN 60529
-------------------	-----------------------------

4 conventional outputs:	24 V DC, 50 mA *)
1 local alarm output: (all short circuit proof)	24 V DC, 50 mA

4 conventional alarm inputs	for potential free contacts (activation time > 50ms)
-----------------------------	---

Ring frequency detection:	20 Hz to 60 Hz
---------------------------	----------------

Power consumption

With plug power supply:	appro. 4,2 W
With external 12 V power supply:	appro. 0,6 W

Plug power supply

Weight:	500 g
Input voltage:	230 V AC (+6%, -14%), 50 Hz
Protection class:	IP 20 according to EN 60529
Class:	II according to EN 60536

*) at use of the plug power supply RNG 3

Acceptance of guarantee



EIB-Approval

We accept the guarantee in accordance with the corresponding legal provisions.

Please return the unit postage paid to our central service department giving a brief description of the fault:

GIRA
Giersiepen GmbH & Co. KG
Service Center
Dahlienstraße 12
D-42477 Radevormwald

The CE sign is a free trade sign addressed exclusively to the authorities and does not include any warranty of any properties.

Gira
Giersiepen GmbH & Co. KG
Postfach 12 20
42461 Radevormwald

Phone: 02195/602-0
Fax: 02195/602-339
Internet: www.gira.de

The TC is certified by EIBA

No. 73/680/94.

Service

Please notice:

In case of service, the factory settings will be programmed. Individual programmed phone numbers and announcements should be written down, since they will be set back to the factory settings during service.

GIRA

GIRA
Giersiepen GmbH & Co. KG
Postfach 12 20
42461 Radevormwald

Industriegebiet Mermbach
Dahlienstraße
42477 Radevormwald

Phone: +49 2195/602 -0
Fax: +49 2195/602 -339
Internet: www.gira.de
E-Mail: info@gira.de