

LV power boost

Order-No. : 0364 00

Operating instructions**1 Safety instructions**

Electrical equipment may only be installed and fitted by electrically skilled persons.

Failure to observe the instructions may cause damage to the device and result in fire and other hazards.

Danger of electric shock. Device is not suitable for disconnection from supply voltage. The load is not electrically isolated from the mains even when the device is switched off.

Danger of electric shock. Always disconnect before carrying out work on the device or load. At the same time, take into account all circuit breakers that supply dangerous voltage to the device or load.

Do not connect any electronic lamps, e.g. switchable or dimmable compact fluorescent lamps or LED lamps. Device can be damaged.

Fire hazard. For operation with inductive transformers, each transformer must be fused on the primary side in accordance with the manufacturer's instructions. Only safety transformers according to EN 61558-2-6 may be used.

These instructions are an integral part of the product, and must remain with the end customer.

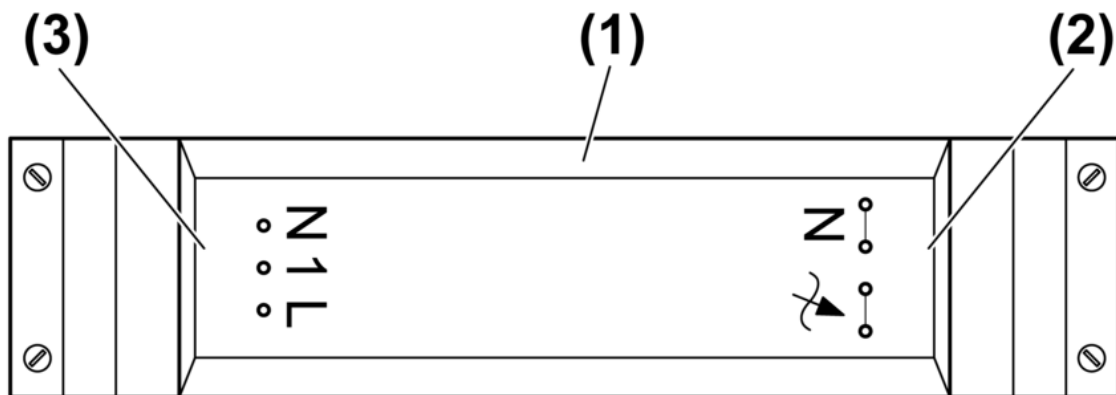
2 Device components

Figure 1

- (1) Power extension
- (2) Load connection
- (3) Dimmer connection

3 Function**Intended use**

- Output extension of LV dimmers, working according to the phase control principle.
- Output extension of universal dimmers, which have detected an inductive basic load. In so doing, operation of universal dimmers with an inductive load.
- Connection of incandescent lamps, HV halogen lamps and dimmable inductive transformers with halogen lamps
- Suitable for mixed operation up to the specified output (see chapter 5.1. Technical data)
- Do not operate the corresponding dimmers without a load
- Installation in false ceilings of surface mounting

Product characteristics

- Connection of multiple power extensions to one dimmer possible
- Operation using upstream dimmer
- Lamp-beneficial soft start
- Electronic short circuit protection with permanent switch-off
- Electronic over-temperature protection
- i** Switch-on delay of lamps on power extension of 1 - 2 s
- i** Brightness differences between the lighting at the dimmer and the lighting at the power extension are possible.

4 Information for qualified electricians

4.1 Fitting and electrical connection



DANGER!

Electrical shock when live parts are touched.

Electrical shocks can be fatal.

Before carrying out work on the device or load, disengage all the corresponding circuit breakers. Cover up live parts in the working environment.

Fitting and connecting the power extension

- i** Use the same external conductor for dimmers and power extensions. Do not swap L and N on the power extension. Otherwise, there is the risk of malfunction.

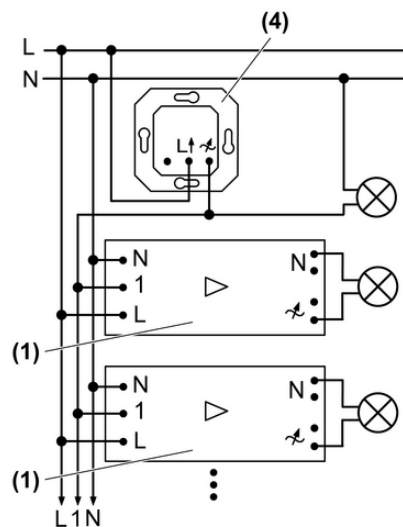


Figure 2

(1) Power extension

(4) Dimmer

- Fit the power extension.

i Minimum diameter of ceiling opening for installation in false ceilings: 63 mm.

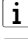
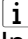
- Connect the power extension according to the connection diagram (Figure 2).

i In the case of lighting systems with an output of over 3500 W/VA, the installation must be distributed across two miniature circuit breakers with the same external conductor.

- If multiple circuit breakers supply dangerous voltages to the device or load, couple the circuit breaker to ensure tripping.

5 Appendix

5.1 Technical data

Rated voltage	AC 230 V ~
Mains frequency	50 Hz
Ambient temperature	+5 ... +45 °C
Housing temperature	70 °C (tc)
Power loss	max. 7 W
Connected load at 25 °C	
 Power specifications including transformer power dissipation.	
 Operate inductive transformers with at least 85% nominal load.	
Incandescent lamps	100 ... 600 W
HV halogen lamps	100 ... 500 W
Inductive transformers	100 ... 600 VA
Ohmic-inductive	100 ... 600 VA
Connection	
Single stranded	max. 4 mm ²
finely stranded with conductor sleeve	max. 1.5 mm ²
Finely stranded	max. 2.5 mm ²
Number of power extensions	max. 10
Total length power cable	max. 100 m
Dimensions L×W×H	212×48.5×46 mm



The symbols used to label the dimmer load shows the load type that can be connected to a dimmer and the electric behaviour of a load: R = ohmic, L = inductive

5.2 Troubleshooting

Power extension switches its load off and on again after a period of time.

Overheating protection has tripped.

Reduce the connected load.

Check the installation situation.

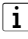
 After cooling, the power extension switches on again automatically.

The power extension switches its load off and cannot be switched on again.

Short-circuit protection has tripped.

Eliminate short-circuit.

Switch the power extension on again with the upstream dimmer.

 Short-circuit protection is not based on a conventional fuse, no metallic separation of the operational current.

All the loads are switched off.

Device protection dimmer has tripped.

Check the dimmer.

5.3 Warranty

The warranty is provided in accordance with statutory requirements via the specialist trade.

Please submit or send faulty devices postage paid together with an error description to your responsible salesperson (specialist trade/installation company/electrical specialist trade). They will forward the devices to the Gira Service Center.

Gira
Giersiepen GmbH & Co. KG
Elektro-Installations-
Systeme

Industriegebiet Mermbach
Dahlienstraße
42477 Radevormwald

Postfach 12 20
42461 Radevormwald

Deutschland

Tel +49(0)21 95 - 602-0
Fax +49(0)21 95 - 602-399

www.gira.de
info@gira.de