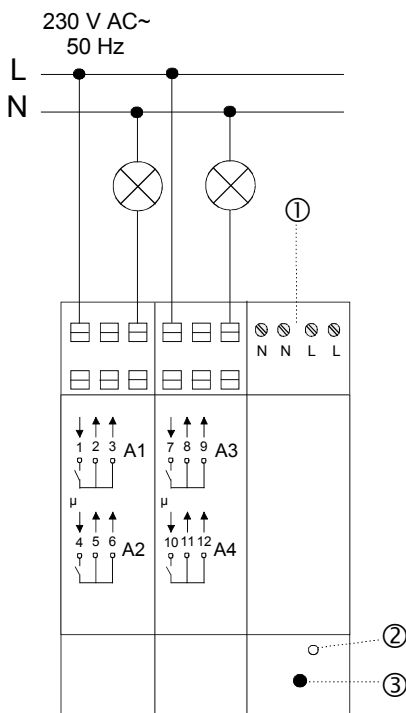
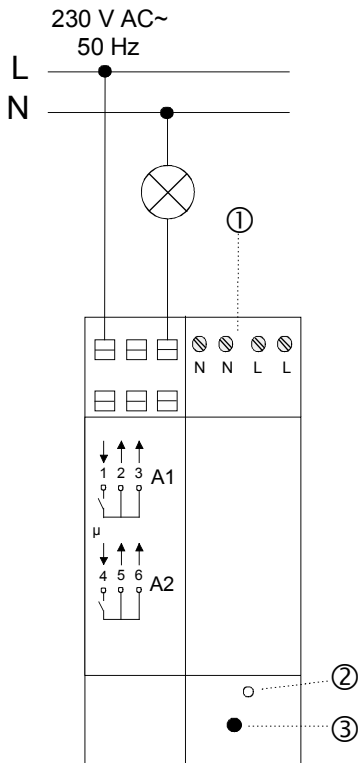


Powernet Switchactuator 2fold

Art. Nr.: 0430 00

Powernet Switchactuator 4fold

Art. Nr.: 0433 00



System Information

This device is a product of the GIRA-Powernet[®] EIB system and complies with EIBA directives. Detailed technical knowledge obtained in *instabus* or GIRA-Powernet[®] EIB training courses is a prerequisite to proper understanding. The functionality of this device depends upon the software. Detailed information on loadable software and attainable functionality may be taken from the manufacturer's ETS2 product database as well as from the GIRA-Powernet[®] EIB controller database.

Planning, installation and commissioning of the unit is done by means of the ETS2 software, Ver. 1.1 or later, as well as by the GIRA-Powernet[®] EIB controller.

Function

The Switchactuator allows two (or, respectively, four) groups of loads to be switched independent of each other.

Connection

Establish electrical connection as shown in the opposite illustration.

Where:

- ① GIRA-Powernet[®] EIB connection.
- ② Programming key.
- ③ Programming LED

The connection of different external leads to the channels is admissible.

Indications of danger

Caution! The installation and assembly of electrical equipment may be carried out only by a skilled person. Do not connect any loads/types of load other than specified.

Subject to change without notice.

Technical Data

Supply

Mains voltage: 230 V AC (sine wave)
Mains frequency: 50 Hz

Power consumption at no-load: ca. 2 VA

Connection

Powernet: screw terminals
0,5 - 4 mm², unifilar
0,5 - 2,5 mm² finewire
0,5 - 2,5 mm² finewire with core end bush

Load circuit: Plug terminals
0,5 - 2,5 mm², unifilar
0,5 - 2,5 mm² finewire with pin cable socket
0,5 - 1,5 mm² finewire with core end bush

max. Switching power

incandescent lamps: 1000 W
HV halogen: 1000 W
NV halogen
(depending on ballast): 200 to 500 VA
Fluorescent lamps
non-compensated: 500 W
dual circuit: 1000 W
parallel compensated ($C \leq 14\mu\text{F}$): 2 x 58 W / 3 x 36 W / 6 x 18 W

Terminal current: 10 A
Ambient temperature: -5 °C to +45 °C
Type of protection: IP 20

Switchactuator 2fold

Build-in width: 45 mm (2,5 PU)
Weight: 185 g

Switchactuator 4fold

Build-in width: 63 mm (3,5 PU)
Weight: 250 g

Acceptance of guarantee

We accept the guarantee in accordance with the corresponding legal provisions.

Please return the unit postage paid to our central service department giving a brief description of the fault:

Gira
Giersiepen GmbH & Co. KG
Service Center
Dahlienstrasse 12
D-42477 Radevormwald



The CE sign is a free trade sign addressed exclusively to the authorities and does not include any warranty of any properties.

Gira
Giersiepen GmbH & Co. KG
Postfach 1220
D-42461 Radevormwald

Telefon: +49 / 21 95 / 602 - 0
Telefax: +49 / 21 95 / 602 - 339
Internet: www.gira.de