

Info-Display 2.0

Order no.: 0510 2x

General system information

This device is a product of the Instabus EIB-system and complies with EIBA directives. Detailed technical knowledge obtained in Instabus training courses is a prerequisite to proper understanding.

The functionality of this device depends on the software.

Detailed information on loadable software and attainable functionality as well as on the software itself may be taken from the manufacturer's product database.

Planning, installation and commissioning of the unit are performed by means of EIBA certified software.

For the product database and technical descriptions please refer to the internet at www.gira.de offering up-to-date information.

Function

The Info-Display receives telegrams via the Instabus EIB and can be used to display (on an LCD display) freely programmable texts and parameters.

For programming, up to 12 pages with 1, 2 or 4 lines are available.

Each line can be made to represent a function (switching, dimming, displaying of parameters, etc.).

A additional warning page permits handling of up to 12 alarm messages. An alarm message can be combined with an acoustic and or optical warning.

Programming of the device requires the ETS 2 software, version 1.2a and higher.



Safety instructions

Attention: Electrical equipment must be installed and fitted by qualified electricians only.

Non-observance of the installation instructions may damage the device and cause fire or other hazards.

Fitting instructions

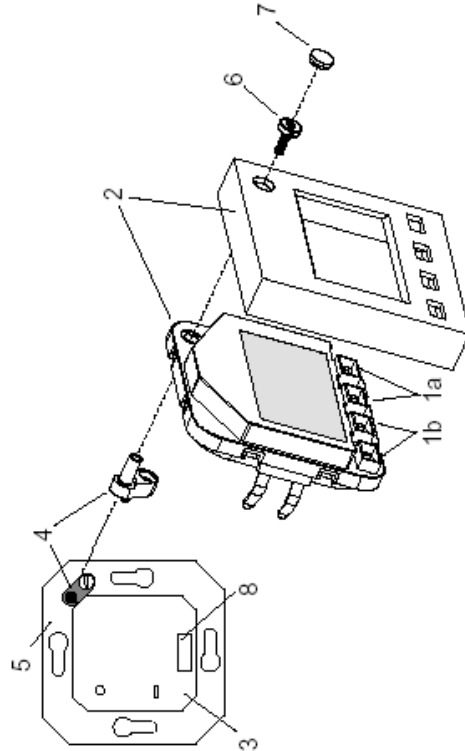
1. Screw the plastic adaptor (4) to the supporting ring (5)
2. Plug the Info-Display (2) onto the bus coupler flush-mounting insert (3)
3. Fasten the Info-Display with retaining screw (6)
4. Put on screw cap (7)

The electrical contact is ensured by the user interface (8).

Use

The two keys on the right (1a) are used for scrolling up and down through the messages.

The two keys on the left (1b) are assigned to the display line respectively selected. After corresponding programming, a depression of these keys transmits telegrams over the Instabus EIB.



Technical Data

Supply

Instabus EIB: 21- 32 V DC via
flush-mounting bus coupler

Connection

Instabus: 2-pole connector via
coupler
User interface: plugged onto coupler

Display:

LCD backlit
4 lines (16 characters) or
2 lines (8 characters) or
1 lines (4 characters)

Controls:

4 keys

Text memory:

4max. 12 pages of 4 lines
each and 16 characters per
line

Acoustic signaling:

2 tones (approx. 512 /
2048 HZ) resettable

Ambient temperature:

0 °C bis +45 °C

Protection grade:

IP 20

Acceptance of guarantee

We accept the guarantee in accordance with the corresponding legal provisions.

Please return the unit postage paid to our central service department giving a brief description of the fault:

Gira
Giersiepen GmbH & Co. KG
Service Center
Dahlienstrasse 12
D-42477 Radevormwald

CE The CE sign is a free trade sign addressed exclusively to the authorities and does not include any warranty of any properties.

Gira
Giersiepen GmbH & Co. KG
Postfach 1220
D-42461 Radevormwald

Telefon: +49 / 21 95 / 602 - 0
Telefax: +49 / 21 95 / 602 - 339
Internet: www.gira.de