

IR-Recessed Extension 4fold

Order No. 0538 00

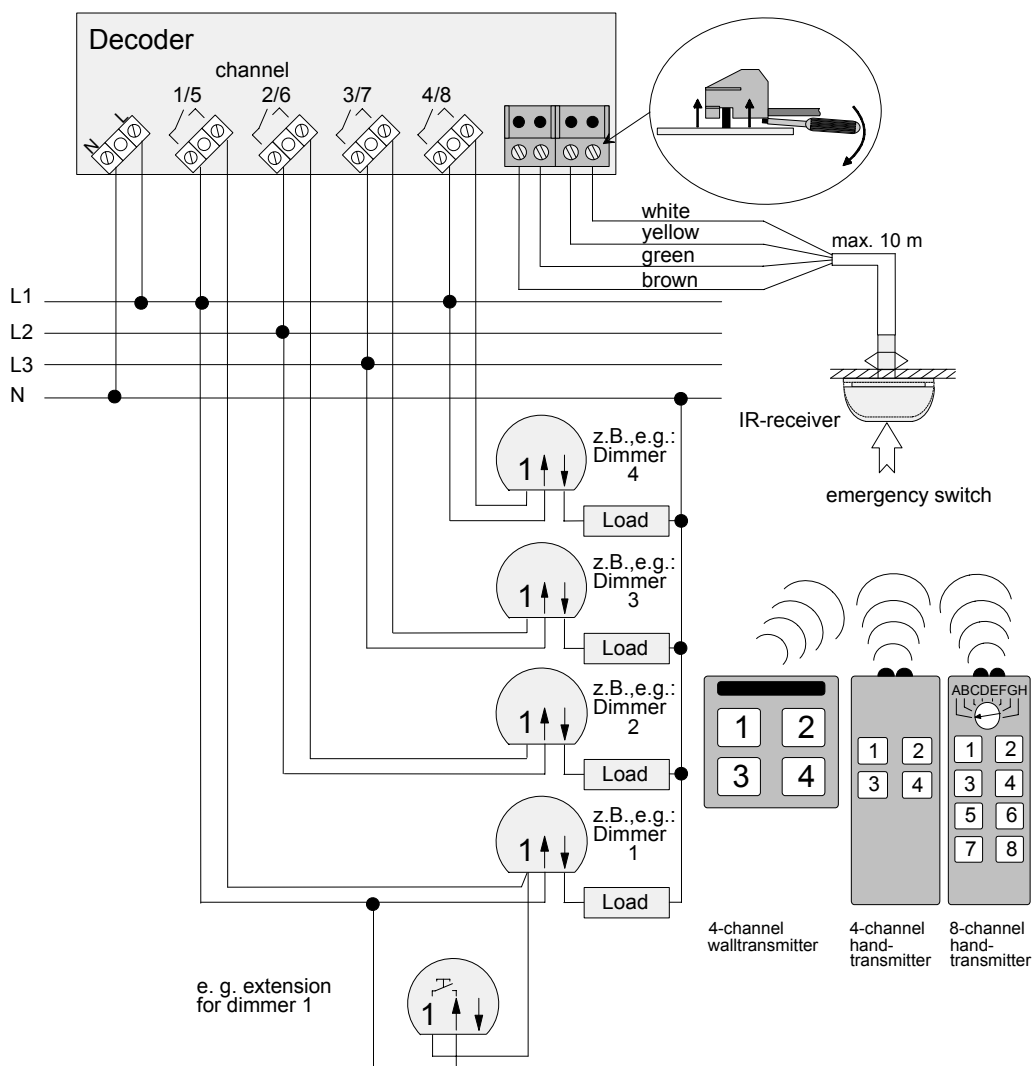
Function

Extension push-button with continuous pulse for independent controlling of 4 dimmers, switches or push-buttons containing extension input "I" (e.g. push-button dimmer, push-button relay switches etc).

Attention: Do not control power boosters directly.

By operating the IR sender switching and dimming commands are being released.

In emergencies (e.g. exhausted sending battery) a switching process of channel 1/5 is possible by pushing the IR receiver (fig 1).



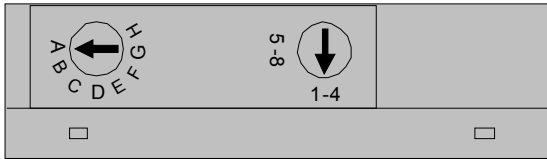
Instructions of Danger

Achtung !

Attention! Installation of electrical devices may only be carried out by a skilled person.

A non-observance of this instructions for installation may result in fire or other hazards.

②

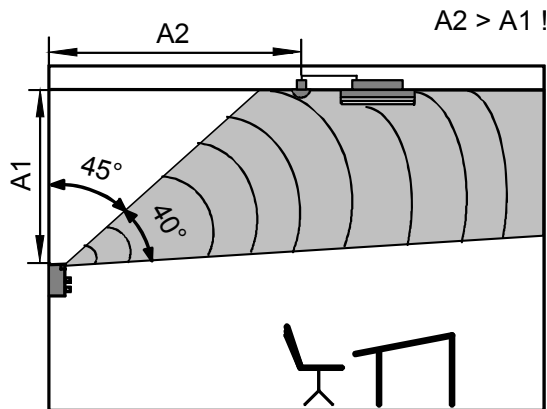


Instructions for Installations

The IR extension push button consists of an IR receiver and decoder, connected by a 4wire (fig. 1) line. This cable may not be lengthened.

For connection please see fig. 1.

③



Output ends are being performed potential free. Load circuits to be controlled may be attached to any phase. **Attention:** However, all devices of a load circuit may only be connected to one joint phase.

Controlling several dimmers via an output end is not permitted. For increasing the output use power boosters.

For controlling load additionally via wall-integrated extensions (fig. 1) use extension type (A). **Attention:** Please regard phase.

Using 8channel hand transmitter:

Set gang switch to required address group A...H and channel selection switch 1-4 or 5-8 to attach output of extension push-button to required transmitting push-button (fig.2).

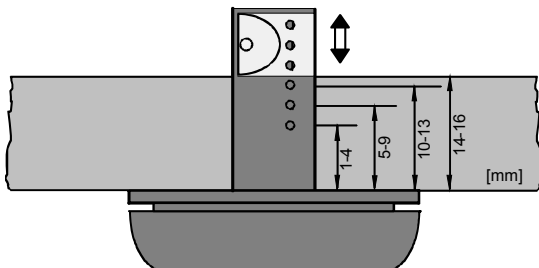
Using 4channel wall transmitter or 4channel hand transmitter:

Set gang switch to address "A" and channel selection switch 1-4 (fig. 2).

Install receiver in the radiation area of the wall transmitter. Note that the distance wall-receiver (A2) is at least distance wall transmitter-ceiling (A1) (fig. 3)

External light may only effect the IR receiver indirectly otherwise the sensibility is being reduced.

④



Montage-Reihenfolge:

1. Provide 13 mm bore to false ceiling.
2. Set clamp spring of IR receiver to thickness of ceiling (fig. 4).
3. Bring receiver terminal wire with its 4wire ends in to bore hole.
4. Insert receiver in bore hole by means of rotating counter-clockwise until stop
5. Put decoder part on false ceiling and receiver terminal wire, connect mains and extension wires according to fig. 1.
(For dismantling pull receiver out of bore hole by rotating counter-clockwise)

Technical Data

Rated voltage:	AC 230 V +/-10 %, 50 Hz
Switching current per output:	max. 3 A
Number of switching outputs:	4
Ambient temperature, t _a :	max. 60 °C
Housing temperature, t _c :	max. 70 °C
Thickness of false ceiling:	1-16 mm
Bore of false ceiling:	13 mm
Receiver terminal wire:	approx. 750 mm, lengthening not permitted.
Transmitting medium:	IR lighting, λ=950 nm
Carrier frequency:	455 kHz
Code:	PPM-code carried
Number of selectable channels:	64

Acceptance of guarantee

We accept the guarantee in accordance with the corresponding legal provisions.

Please return the unit postage paid to our central service department giving a brief description of the fault:

Gira
Giersiepen GmbH & Co. KG
Service Center
Dahlienstrasse 12
D-42477 Radevormwald



The CE sign is a free trade sign addressed exclusively to the authorities and does not include any warranty of any properties.

Gira
Giersiepen GmbH & Co. KG
Postfach 1220
D-42461 Radevormwald

Telefon: +49 / 21 95 / 602 - 0
Telefax: +49 / 21 95 / 602 - 339
Internet: www.gira.de