

Instabus Binary input potential free

Order No. 0563 00

Instabus Binary input 230 V

Order No. 0564 00

Function

These devices are products of the *instabus* EIB-system and comply with EIBA directives. Detailed technical knowledge obtained in *instabus* training courses is a prerequisite for proper understanding. Functionality of the devices is depending on the software. Detailed information on loadable software and attainable functionality may be taken from the manufacturer's product database.

Binary input 230 V

The binary input 230 V transmits commands to the *instabus* EIB depending on the edges of signals appearing at its inputs.

The unit has two separate inputs whose input signals are processed independent of each other.

Yellow LEDs (A1 and A2) indicate the status of both inputs. A green LED (B) indicates that the unit is standby.

Both units should be connected to the same outer conductor.

Binary input potential free

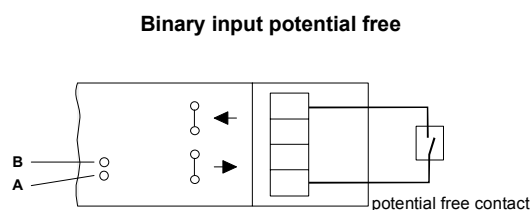
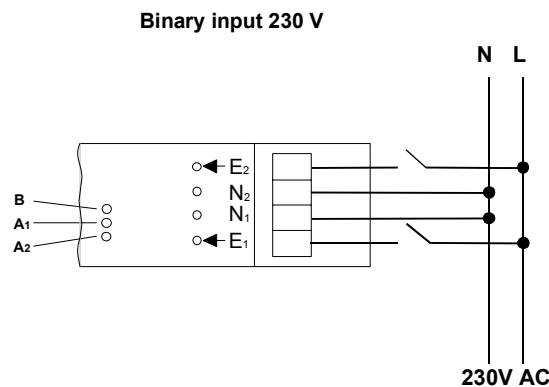
The binary input potential free transmits commands to *instabus* EIB. Statuses „Contact open“ and „Contact closed“ are processed.

A yellow LED (A) indicates the status of the input. A green LED (B) indicates that the unit is standby.

Installation

Caution! The installation and assembly of electrical equipment may be carried out only by a skilled person.

Planning, installation and commissioning of the unit is done by means of EIBA certified software.



Technical Data

Supply <i>instabus</i> EIB:	24 V DC (+6 / -4 V)
Power drain <i>instabus</i> EIB:	max. 150 mW
Connection <i>instabus</i> EIB:	Connection terminal and branch joint
Inputs:	Plug-in terminals up to 2,5 mm ²
Type of protection:	IP 20
Dimensions (in mm):	39,5 x 28,5 x 278,6 (W x H x L)
Ambient temperature:	-5 °C to +45 °C
Max. housing temperature:	45 °C
Storage temperature:	-25 °C to +55 °C

Binary input 230 V

Inputs	
Input line length:	max. 150 m for NYM wire
Signal current:	approx. 5 mA, up to 65 mA surge
Signal voltage	
“0” - signal:	0 to 10 V AC
“1” - signal:	190 to 253 V AC
Signal duration:	> 100 ms

Binäreingang potentialfrei

Input line length:	max. 100 m for NYM wire
Contact closed:	max. 100 Ω
Contact open:	min. 10 kΩ / 10 nF

Acceptance of guarantee

We accept the guarantee in accordance with the corresponding legal provisions.

Please return the unit postage paid to our central service department giving a brief description of the fault:

Gira
Giersiepen GmbH & Co. KG
Service Center
Dahlienstrasse 12
D-42477 Radevormwald



The CE sign is a free trade sign addressed exclusively to the authorities and does not include any warranty of any properties.

Gira
Giersiepen GmbH & Co. KG
Postfach 1220
D-42461 Radevormwald

Telefon: +49 / 21 95 / 602 - 0
Telefax: +49 / 21 95 / 602 - 339
Internet: www.gira.de