

Instabus Switchingactuator 2fold

Order No. 0612 00

Instabus Switchingactuator 4fold

Order No. 0616 00

Function

This device is a product of the *instabus* EIB-system and complies with EIBA directives. Detailed technical knowledge obtained in *instabus* training courses is a prerequisite for proper understanding.

Functionality of this device is depending on the software. Detailed information on loadable software and attainable functionality may be taken from the manufacturer's product database.

The switching actuator can switch two or, respectively, four groups of loads independently from one another.

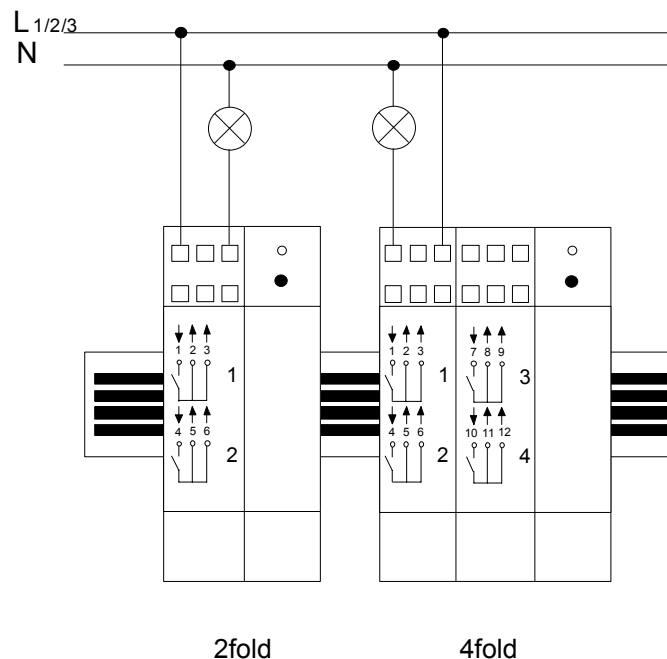
Switching commands are issued by operation of touch sensors, infrared sensors or via the binary input of the *instabus* EIB-system.

The connection of different external leads to the channels is admissible.

Installation

Caution! The installation and assembly of electrical equipment may be carried out only by a skilled person.

Planning, installation and commissioning of the unit is done by means of EIBA certified software.



Technical Data

Supply <i>instabus</i> EIB:	24 V DC (+6 / -4 V)
Power drain <i>instabus</i> EIB:	max. 150 mW
Connection	
<i>instabus</i> EIB:	Pressure contact on data bar
AC mains:	Plug terminals
	1 - 2,5 mm ² , unifilar
	1 - 2,5 mm ² finewire with pin cable socket
	1 - 1,5 mm ² finewire with core end bush
Switching power	
incandescent lamps:	1000 W
HV halogen:	1000 W
HV halogen with conv. transformer:	200 to 500 W (depending on ballast)
Fluorescent lamps	
non-compensated:	500 W
dual circuit:	1000 W
parallel compensated:	2 x 58 W (<= 14 µF)
Terminal current:	10 A
Ambient temperature:	-5 °C to +45 °C
Storage temperature:	-40 °C to +55 °C
Type of protection:	IP 20
Switchingactuator 2fold	
Build-in width:	35 mm(2 PU)
Switchingactuator 4fold	
Build-in width:	52,5 mm(3 PU)

Acceptance of guarantee

We accept the guarantee in accordance with the corresponding legal provisions.

Please return the unit postage paid to our central service department giving a brief description of the fault:

Gira
Giersiepen GmbH & Co. KG
Service Center
Dahlienstrasse 12
D-42477 Radevormwald



The CE sign is a free trade sign addressed exclusively to the authorities and does not include any warranty of any properties.

Gira
Giersiepen GmbH & Co. KG
Postfach 1220
D-42461 Radevormwald

Telefon: +49 / 21 95 / 602 - 0
Telefax: +49 / 21 95 / 602 - 339
Internet: www.gira.de