

Louver Control

Louver Control Louver Control with sensor connection

Order-No.: 644 xx
Order-No.: 820 xx

Function

This louver control push-button is a component of the louver control system and must be installed in a connecting box according to DIN 49073 (recommendation: deep box) in conjunction with the louver control insert.

With key ▲, the louver can be moved UP and moved DOWN with key ▼.

Short pressing (max. 1 second):

A pulse corresponding to the period of pressing the key is produced.
This function, for example, serves for adjusting louver blades.

After longer pressing (at least 1 second):

The louver control changes to self-holding ('continuous operation').

This louver control system has been designed for switching louver or roller blind motors. Do not switch any other loads.

Observe the manufacturers' instructions under any circumstances when connecting louver motors in parallel.

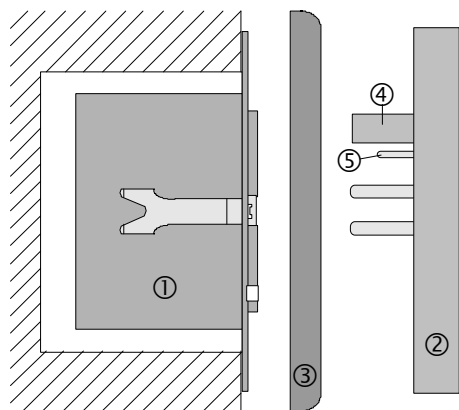
Use louvers or roller blinds with limit switches (mechanical or electronic) only.

An electronic locking of the attachment provides for a minimum change-over time of approx. 1 second.

Please observe the information of the motor manufacturers with respect to change-over time and max. cyclic duration factor.

Warning

Caution: The installation and assembly of electrical equipment may only be performed by a skilled electrician.



Installation Instructions

The louver control push-button can only be placed into service in conjunction with the louver control insert.

Louver control insert ① must be installed in a connecting box according to DIN 49073 (recommendation: deep box).

The connecting terminals of the units must be down.

Plug louver control push-button ② onto the insert together with frame ③.

Electrical contacting is established through plugs ④ and ⑤.

Connection of Sensors (only for louver control push-button with sensor connection)

Important: The sensor line carries protective low voltage (SELV).

Please observe the installation procedures as specified by VDE 0100.

Sun sensor: The sun sensor must be attached to a window pane and facilitates the sun protection function.

Choose the sensor position to which the louver is to be moved when the brightness value is exceeded.

Prior to the execution of the sun protection function, the louver must be moved to its upper end position in 'continuous mode' (2 minutes running time).

The sun protection function is initiated approx. 2 minutes after the factory-set brightness value is exceeded (approx. 20000 lux). The louver moves down. Such delay (hysteresis) by approx. 2 minutes is necessary in order to compensate short-time brightness variations. The louver or roller blind, respectively, is not moved up and down upon each brightness difference.

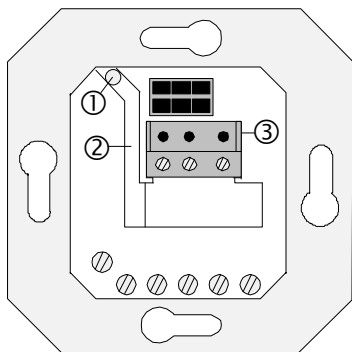
After the factory-set brightness value has been undercut for at least 15 minutes, the louver is moved up again (short-time brightness variations will be disregarded).

Glass breakage sensor: The glass breakage sensor should be attached to the window pane. If the window pane is damaged, the louver is moved to its lower end position. Application: Protection against weather influences in the event of glass breakage.

The glass breakage message can be reset with the ▲ key, and the louver moves up.

Glass breakage sensors must not be used together with the wind sensor. The wind protection function via extension input ▲ (louver moves up) will be disabled after glass breakage, the louver or roller blind remaining closed.

A)



Flush-mounted installation (Illustration A):

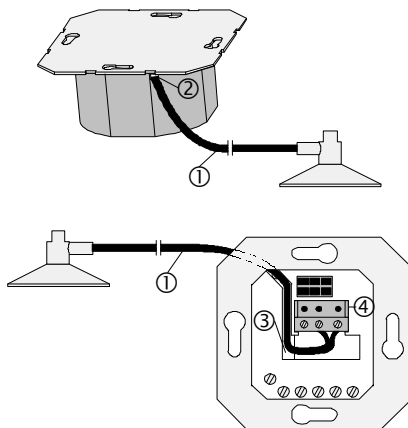
Choose suitable cable for buried installation of the sensor line.

Recommendation: 2x2x0.6 mm² J-Y-(ST)Y telephone cable. Put insulating tubing (supplied with the sensor connection attachments) on the individual wires of the sensor line.

Then, together with the insulating tubing, push the cable through hole ① of the insert and lead through line duct ② down to connection terminal ③. The insulating tubing must cover the individual wires between the other cable covering and the connection terminal.

The connection terminal (supplied with the sensor connection attachments) should be placed into the insert as shown in the illustration.

B)

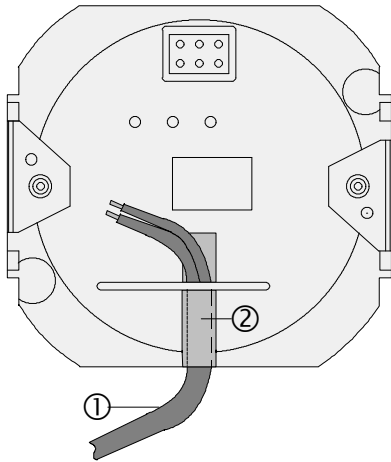


Surface installation (louver control push-button with sensor connection), version 1 (Illustration B):

Lead sensor cable ① behind the suspension plate (between the wall and the suspension plate) through opening ② into line duct ③ of the insert. The cable must be routed directly through the line duct to connection terminal ④.

The cable must lie precisely in the line duct and must not loop into the 230 V connection terminal space.

c)

**Surface installation (louver control push-button with sensor connection), version 2 (Illustration C):**

Lead sensor line ① through line duct ② in the attachment to the connection terminal in the insert.

(For the description, installation and connection of the insert, please refer to separate instructions.)

Manufacturer's warranty

We grant the guarantee on our units - irrespective of claims arising out of the sales contract between the final consumer and the vendor - as follows:

1.
Our warranty is limited at our discretion to repair or replacement if the functioning is impaired or not ensured due to proven defects resulting from faults in material or workmanship.

2.
The period of guarantee is governed by our General Conditions of Sale. Adherence to this period must be justified by confirmation of purchase date in the form of invoice, delivery note or similar documents.

3.
The costs of transport are borne in all cases by the purchaser.

Please return the unit postage paid to our central service department giving a brief description of the fault:

Gira
Giersiepen GmbH & Co. KG
Service Center
Dahlienstrasse 12
D-42477 Radevormwald
Federal Republic of Germany



The CE sign is a free trade sign addressed exclusively to the authorities and does not include any warranty of any properties.

Gira
Giersiepen GmbH & Co. KG
P.O. Box 1220
D - 42461 Radevormwald
Federal Republic of Germany
Tel.: ++49 / 2195 / 602 - 0
Telefax: ++49 / 2195 / 602 - 339
Internet: <http://www.gira.de>