

GIRA

GB

Tectiv 220°

Instructions for use



With teach-in: accepts the current brightness as an operating point with the press of a button.

On. Off. All by itself.

The Gira Tectiv 220° reacts to movement. As soon as someone enters the detection area and the brightness of the surroundings have fallen below the set level, the light switches on. This is practical when you get home in the evening.

And, of course, because it scares away undesired guests. If movement is no longer detected, the light turns off again. The operating time can be adjusted: from 1 second to 30 minutes. And if you want the Gira Tectiv 220° not to react for 2 hours, it can be set to be constantly on or constantly off.

Even the operating point can be easily changed: when the desired level of light is reached, just press a button and the operating point is „saved“.

With Gira, your house is more comfortable, secure, and economic. You can find out what else Gira offers as one of the leading manufacturers of modern electrical installation systems in a good electrical supply store or in the Internet at www.gira.de

With all comfort.

Teach in - easily save the twilight value

Caution! With teach-in, the controller for the brightness level can not be on minimum and the Tectiv 220° cannot be switched off or subjected to the influence of foreign light (e.g. light shining from a window).

Wait for the desired level of light and then:

1. Turn the dome to the left and remove it.
2. Press the red Teach-button for at least 3 s (do not touch lens!). The LED will begin to blink.
3. Replace the dome and turn to the right.

After 1 minute, the value is saved; the LED no longer blinks. If the light was already switched on, it goes off and only turns on again with movement. The current brightness value is saved.

Deleting saved value: turn the brightness controller to the left until it stops, then turn it to the right to the desired value. The red LED blinks 3 times for confirmation.

Switching with the attached buttons

For example, to turn the light on when guest are coming.

Or to switch it on for 2 continuous hours on the veranda.

Then, the normal monitoring function is active again.

Buttons:

Press 1x Light ON for set operating time.

Press 2x continuous-ON for 2 hours.

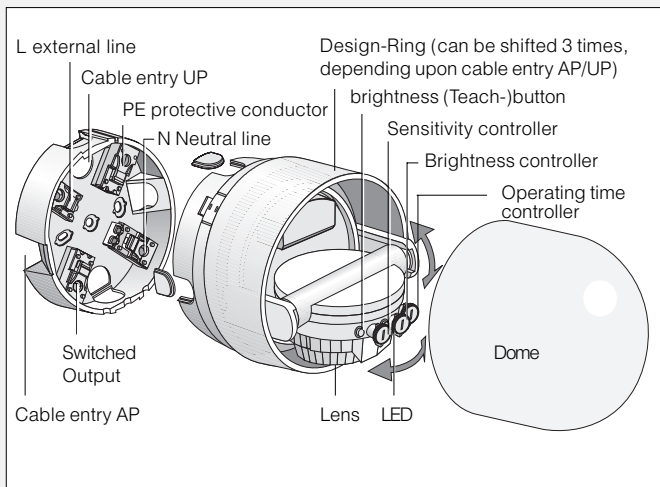
Press 3x continuous-OFF for 2 hours.

When the button is pressed again, the operating condition of continuous-ON or continuous-OFF is cancelled again.

Assembly.

The ideal place

- At a height of 2.4 m (optimum range).
- Perpendicular to the direction of travel (greatest sensitivity).
- Free of vibration and not directly over a lamp.
- Without shadows (walls, fences).
- Free from sources of disturbance (blank out bushes moved by the wind, streets that are heavily traveled, paths of pets).



Practical assembly

Caution! Installation and assembly of electrical devices may only be carried out by an electrician.

Switch the supply voltage off! Necessary screws, pins, and drilling template are included.

1. Drill according to the drilling template (\varnothing 6 mm).
2. Punch out cable entry (do not use a knife!).
3. Insert cable and screw on socket.
TOP / OBEN must be on top with ceiling mounting in the direction of the area to be detected.
4. Electrical connection according to the diagram (see page 12/13). Do not place lines across terminals! Otherwise, the upper part can not engage.
5. With AP cable entry: Remove appropriate covers for the cable entry.
6. Put on upper part and engage audibly (guides!).
7. Turn the dome to the left and remove (bayonet).
8. Adjust lens, with ceiling mounting, pivot 90° .

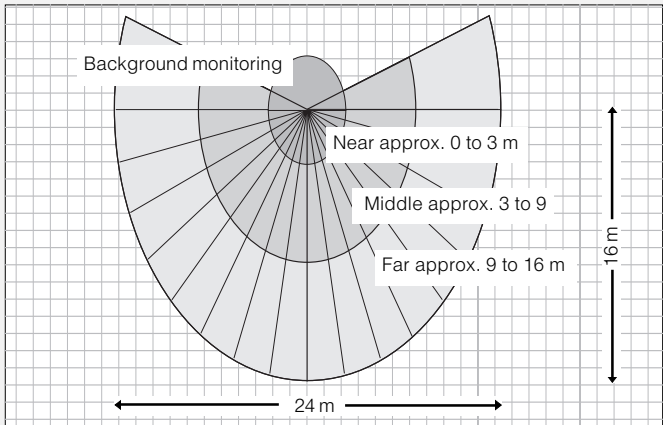
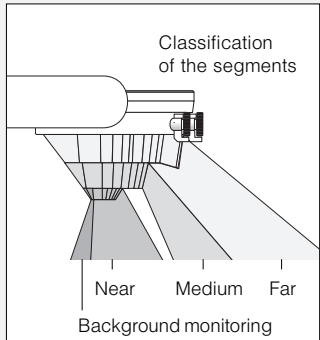
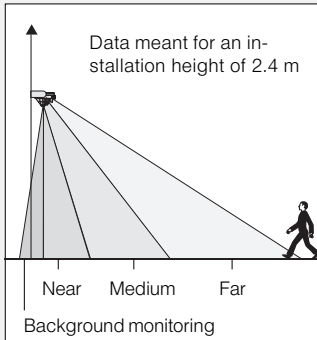
Adjustment and test.

Adjustment, dimming, walking test

1. For the walking test, turn the brightness and operating time controller to „T“. The sensitivity controller cannot be set on „min.“. If the full range is not desired, grasp the lens by the lens bracket and tilt it down a little. If necessary, turn it to the side.

Caution! Carry out the walking test with the dome removed. Check the detection area by pacing it off. With each detection, the LED will light up. If necessary, correct the alignment of the lens.

2. blank out sources of disturbance: To do this, mask off the appropriate segments on the lens with the matching segments of the included screen. –If this is not enough, reduce the sensitivity with the controller.
3. Set operating time: 1 second to 30 minutes.
4. Set brightness: 3 to 1000 Lux or day operation.
Recommended: 15 Lux (middle position of the brightness controller). Subsequent correction: see Teach-in (Teach-in of the brightness level is not possible during the walking test).
5. Attach dome and turn to the right until it stops (The Tectiv 220° can only be operated with a dome).



Additional possibilities.

Adjustment as a passage detector

Operating time and sensitivity at min., brightness at max. With movement, the system is briefly switched on for 1 second and then switched off again (e.g. for a gong). After that, movement is not registered for 9 seconds.

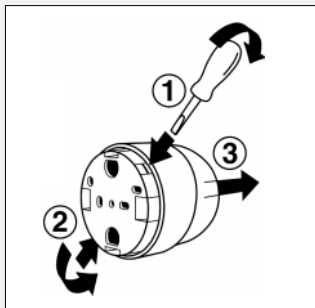
Switching the LED off and on

The movement detection is signaled by the LED. This can be switched off or on again by pressing twice on the Teach-button, as needed.

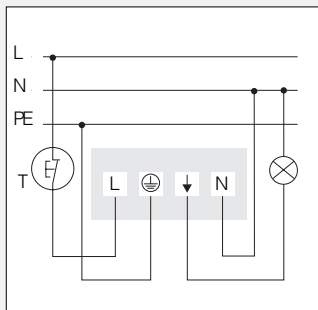
Disassembly.

Tools needed: screwdriver, tip width 4 mm.

1. Push design ring forward until it stops.
2. place the screwdriver in both holes ① ② (one after the other) and pry on the guides slightly in the direction of the design ring.
3. Pull off Tectiv 220° simultaneously with the lever movement ③.



Connection diagrams.



Connection with buttons

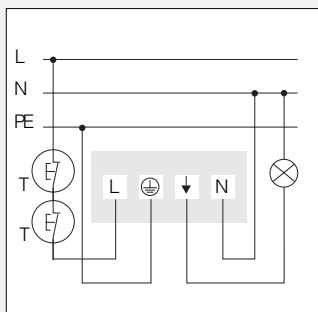
Press 1x: Light ON for set operating time.

Press 2x: continuous-ON for 2 hours.

Press 3x: continuous-OFF for 2 hours.

continuous-ON / continuous-OFF returns to normal monitoring function after 2 hours.

T = Button (opener)

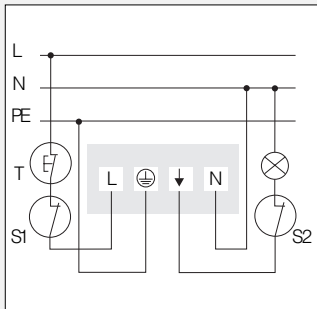


Reversing switches

Replace existing reversing switches with buttons.

Function as already described under „Button“.

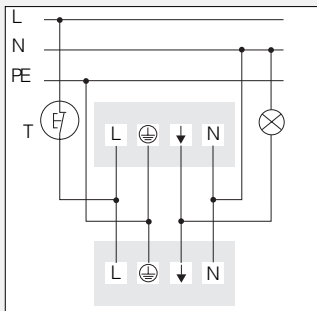
T = Button (opener)



With 2 OFF switches

With S1, the Tectiv 220° is deactivated and with the S2 the light is deactivated. During activation, the S1 is used for switching, not the S2.

S = switch





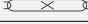
Parallel switching

Parallel switching of several Gira Tectiv 220°.

With the parallel switching the switching capacity is not increased.

T = Button (opener)

Technical data.

Nominal frontal range approx.	16 m (installation height 2.4 m)
Nominal lateral range approx.	12 m (installation height 2.4 m)
Detection area	220°, can be reduced with screen
Recommended assembly height	2.4 m
Nominal voltage	~ 230 V, 50 Hz
All-or-nothing relay	16 A
Starting current up to	100 A
Switching capacity	
– filament lamps	2500 W 
– HV halogen lamps	2500 W 
– fluorescent lamps	1200 W 
Power input approx.	1 W (deactivated condition)
Power input approx.	5 W (activated condition)
Surrounding temperature	-25 °C to +55 °C
Make-time approx.	1 second up to 30 minutes
Brightness detector	3 up to 1000 Lux and daily operation
Additional functions	passage detector, Teach-in, Light on, continuous-ON/continuous-OFF.
Degree of protection	IP 55
Connections	L, N, PE, L(tm) 1.5 to 2.5 mm ²

Note: Take high peak inrush current under load into consideration!
Not suitable for alarm systems because it is not secure against sabotage!

Manufacturer's guarantee.

We guarantee our devices – notwithstanding the claims of the final consumer toward the dealer resulting from the purchase contract – as follows:

1. Our guarantee includes the correction or resupply of a device (according to our discretion) if the function of the device is limited or nonexistent due to proven material or manufacturing errors .
2. The claim deadline is oriented according to our general-terms of sales. Compliance with the claim deadline is to be demonstrated by voucher of the purchase date by means of an included invoice, delivery note, or similar documents.
3. The purchaser is definitely responsible for the costs of transport.

Please send the device to our central customer service site postage-free with a description of the defect.

Gira
Giersiepen GmbH & Co. KG
Service Center
Dahlienstraße 12
D- 42477 Radevormwald

CE The CE-mark is a unofficial market sign, which deals solely with the government body and includes no assurance of characteristics.

Gira
Giersiepen GmbH & Co. KG
Postfach 12 20
42461 Radevormwald
Germany
Telefon: 00 49 / 2195 / 602 – 0
Telefax: 00 49 / 2195 / 602 – 339
Internet: www.gira.de
E-Mail: info@gira.de