

Mains decoupler

Comfort

Order no.: 1139 00

Standard

Order no.: 1140 00

Function

The mains decoupler is installed in a load circuit and decouples it from the alternating current as soon as all devices of this load circuit are switched off. This prevents alternating electromagnetic fields in sensitive living areas and the related radiation caused by the building wiring system.

During mains decoupling a 230V DC monitoring voltage is connected to the load circuit. The device is not isolated!

In the decoupled state, VDE-approved phase checkers indicate the monitoring voltage

As soon as a device is switched on, the mains decoupler reconnects the monitored phase.

A large number of common devices, such as light bulbs, Gira Tronic transformers, compact fluorescent lamps or vacuum cleaners, are detected without additional base load modules. The switching concept of the mains decoupler eliminates the need for a manual calibration of the switch-on and switch-off threshold.

Note:

If the load circuit contains continuous power consumers (e.g. a radio alarm clock, telephone, alarm system etc.), the circuit is not decoupled.

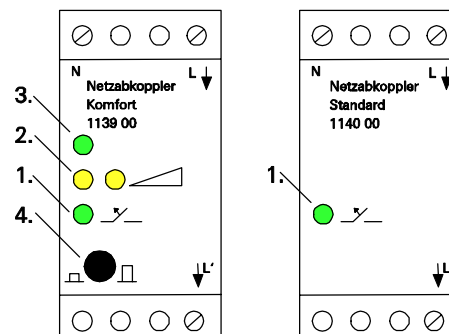
The monitoring voltage present during mains decoupling supplies, e.g. illuminated push buttons, up to a maximum of 8 mA.

During mains decoupling the function of electronic blind controllers, flush-mounted radios or radio bus systems in the load circuit is limited.

Display and operating elements (Fig. A)

- (1) LED green: mains voltage decoupled only with Comfort mains decoupler:
- (2) 2 yellow LEDs as consumption display. If both LEDs light up, even larger devices (> 50 W) are switched on. First the right, then the left LED goes out.
- (3) LED green: ready for operation
- (4) Push button for switching mains decoupler on/off (⏻ / ⏿). In the "On (⏻)" position the mains decoupler automatically disconnects the power circuit concerned from the mains supply when no device is switched on. In the "Off (⏿)" position the power circuit is not decoupled.

A)





Danger warning

Important! Installation and mounting of electrical devices may only be carried out by a qualified electrician. When doing so, the applicable accident pre-vention regulations must be observed.

To avoid an electric shock, isolate the device before working on it (switch off circuit breaker).

Failure to observe the installation instructions can cause result in to the device, fire or other dangers.

Connect a 16 A circuit breaker upstream.

The device is not isolated!

In the case of mains decoupling, a 230 V DC monitoring voltage is present in the installation circuit.

Installation and connection

Engage the mains decoupler on the DRA top-hat rail and connect it as shown in Fig. B.

Check operation before connecting the output phase L': The mains decoupler must decouple after approx. 3 seconds when mains voltage is connected. With the Comfort mains decoupler, make sure that the push button (Fig. A (4)) is switched on and the operating LED (Fig. A (3)) is lit up.

Note:

If several mains decouplers are installed in a sub-distribution unit, fit these on different rails or at a distance of one half of a depth module from the adjacent mains decoupler. This enables temperature compensation to take place (observe operating temperature range!).

B)

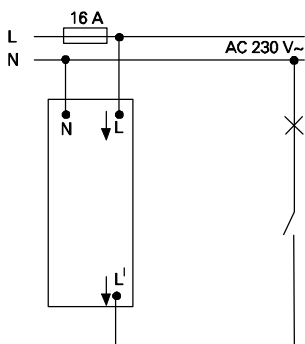


Fig. C:

Connection of mains decoupler (1) with a System 2000 universal dimmer 0305 00 (3) with a System 2000 auxiliary unit 0333 00 (4) and control module 1120 00 (2).

C)

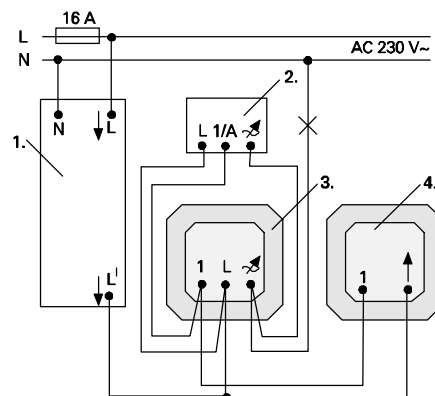
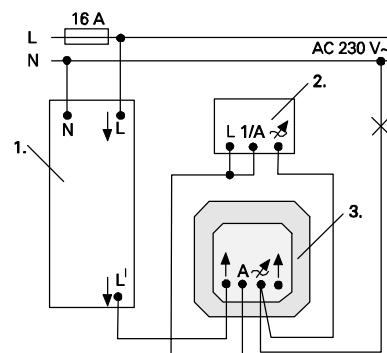


Fig. D:

Connection of mains decoupler (1) with a Tronic dimmer 0307 00 (3) and control module 1120 00 (2).

D)



The mains decoupler functions exclusively with the following Gira rotary and touch dimmers:

Dimmer Order-No.:	Control module		Remarks
	w/o	with	
0302 00	x		-----
0305 00	x		Main unit operation
		x	AU, see Fig. C
0306 00	x		-----
0307 00		x	see Fig. D
0310 00	x		Main unit operation
1176 00	x		Main unit operation

AU = Auxiliary unit operation

Specifications

Rated voltage: 230 VAC, 50 Hz
Monitoring voltage: 230 V DC, max. 8 mA

Contact rating
Light bulbs: 2,300 W
HV halogen lamps: 2,300 W
LV halogen lamps
conv. transformer: 800 VA
Tronic transformers: 1,000 W

Fluorescent lamps
uncompensated: 1,000 VA
Duo-circuit: 1,600 VA
parallel compensated: 700 VA

Temperature range: 0 °C to +40 °C

Installation width: 36 mm (2 depth modules)

Acceptance of guarantee

We accept the guarantee in accordance with the corresponding legal provisions.

Please return the unit postage paid to our central service department giving a brief description of the fault:

Gira
Giersiepen GmbH & Co. KG
Service Center
Dahlienstrasse 12
D-42477 Radevormwald

Gira
Giersiepen GmbH & Co. KG
Postfach 1220
D-42461 Radevormwald

Telefon: +49 / 21 95 / 602 - 0
Telefax: +49 / 21 95 / 602 - 339
Internet: www.gira.com