

**Video distributor  
1226 00**

# GIRA

Gira  
Giersiepen GmbH & Co. KG  
Electrical installation  
systems  
P.O. Box 1220  
42461 Radevormwald  
Phone +49 (0) 2195 / 602 - 0  
Fax +49 (0) 2195 / 602 - 339  
www.gira.de  
info@gira.de

31 96 46 27/12

# GIRA

**Device description**

The video distributor distributes the video signal of the door stations, DCS-camera-gateways and DCS-IP-gateways to the home stations. It is required when the cable routing in the door communication system is carried out as a branch line.

The video distributor is cascadable. A total of up to 15 video distributors and video multiplexers can be used in one system.

**Mounting**

The combination housing of the video distributor makes various mounting types possible:

**Without a DRA adapter**

- Surface-mounted (e.g. in a surface-mounted junction box)
- Flush-mounted (in a deep flush-mounted device box)

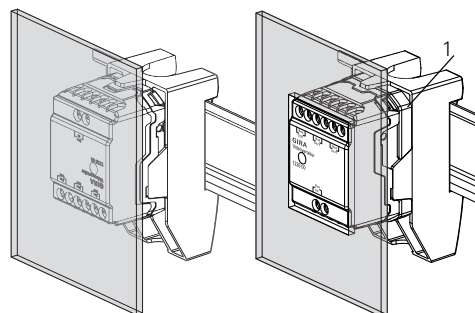
**With a DRA adapter**

The video distributor can be installed with the included DRA adapter on a top-hat rail in a distribution.

The installation height of the video distributor in the distribution varies depending on the plug-in direction. This enables both flush installation and installation below the protective cover.

**i** **Flush installation**

For flush installation, please insert the included plate (1) into the DRA adapter and then snap in the video distributor.



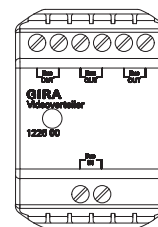
below the protective cover    flush installation

**Connection terminals**

**Bus IN**

Connection for the incoming video signal from door stations with video function, DCS-camera-gateways or DCS-IP-gateways.

Because the video signal in the video distributor is only routed in one direction from Bus IN to Bus OUT, all devices which emit a video signal must be connected to Bus IN via the Gira 2-wire bus.



**Bus OUT**

Connection of the video distributor to home stations with video function.

**Terminating element**

There is a terminating element included in the video distributor's scope of supply. The following rules apply to the use of the terminating element:

- A terminating element is required if a system is operated with more than 10 devices with a BUS\_IN/BUS\_OUT terminal (e.g. video distributor, video amplifier, DCS-camera-gateway, etc.).
- The terminating element is connected to the door and home stations which are located at the line end.
- The terminating element is connected to the BUS terminals parallel to the 2-wire bus.
- The terminating resistance is set to "YES" in the start-up menu of the home stations with a terminating element.
- A maximum of 3 terminating elements may be installed in one system. If there are more than 3 lines in a system, the following rules apply:
  - The terminating element is installed in the 3 lines with the most devices with a BUS\_IN/ BUS\_OUT terminal.
  - For the same number of devices in the individual lines, the line with the longer line length is provided with a terminating element.

**Technical data**

Temperature range: -25 °C to +70 °C

Dimensions  
(W x H x D): 36 x 52 x 27 mm

**Notes**

The video control device can supply up to 31 devices with electricity (e.g. 28 home stations, 2 door stations with colour camera, 1 video amplifier). In doing so, the number of devices depends on the number of home stations with video function called simultaneously:

Home stations video per residential unit	1	2	3
Residential units	28	12	6
Home stations	28	24	18

Additionally, the following rules apply:

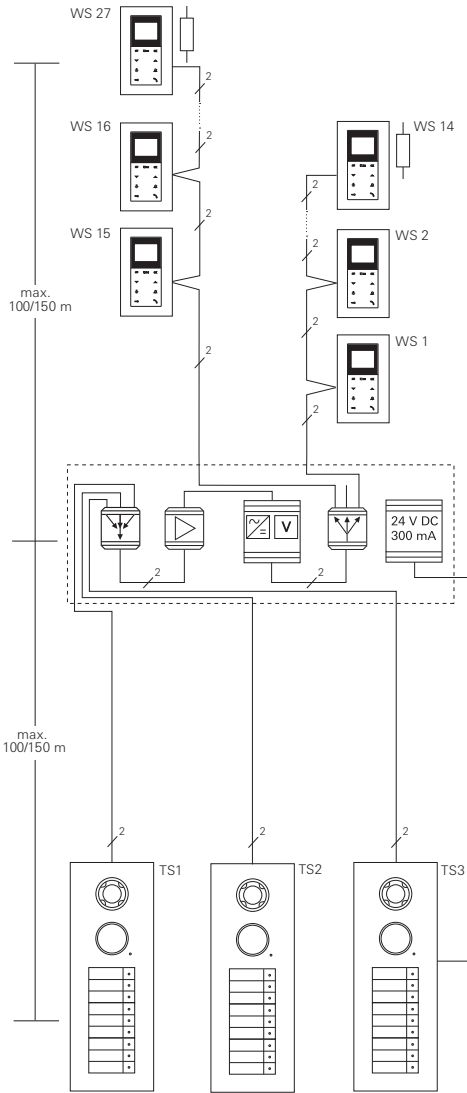
- The max. total cable length is 300 m (distributed among several cable lines).
- The max. permissible cable length in one line is 100/150 m from the video control device to the last door station or home station (for 0.6/0.8 mm cable diameters).
- A maximum of 16 devices can be connected to each cable line.
- The video amplifier counts as 1 device.
- A total maximum of 15 video distributors and video multiplexers can be used in one system.

**Warranty**

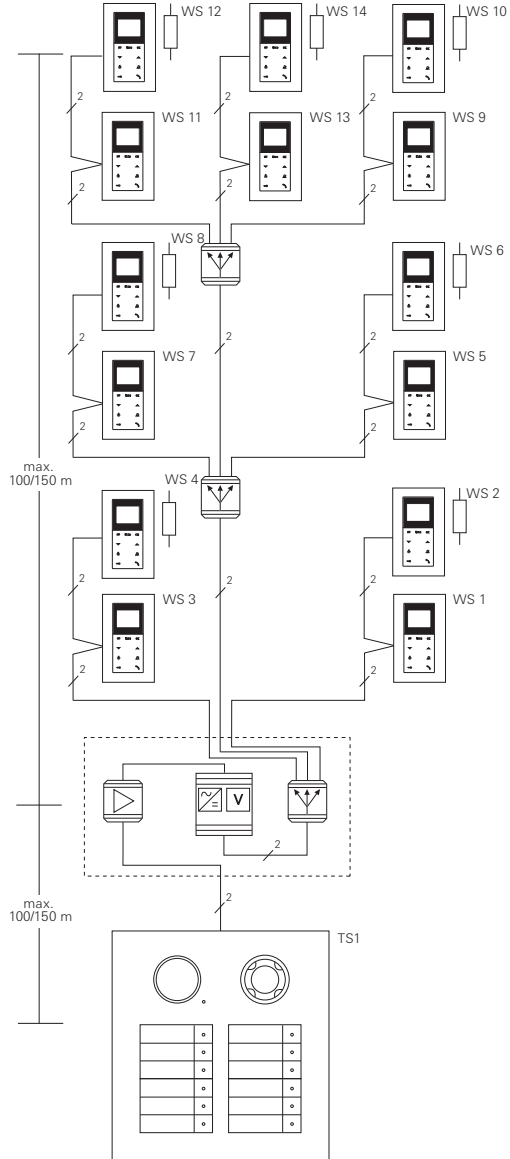
The warranty is provided in accordance with statutory requirements via the specialist trade. Please submit or send faulty devices postage paid together with an error description to your responsible salesperson (specialist trade/installation company/electrician). They will forward the devices to the Gira Service Center.

## Example topologies

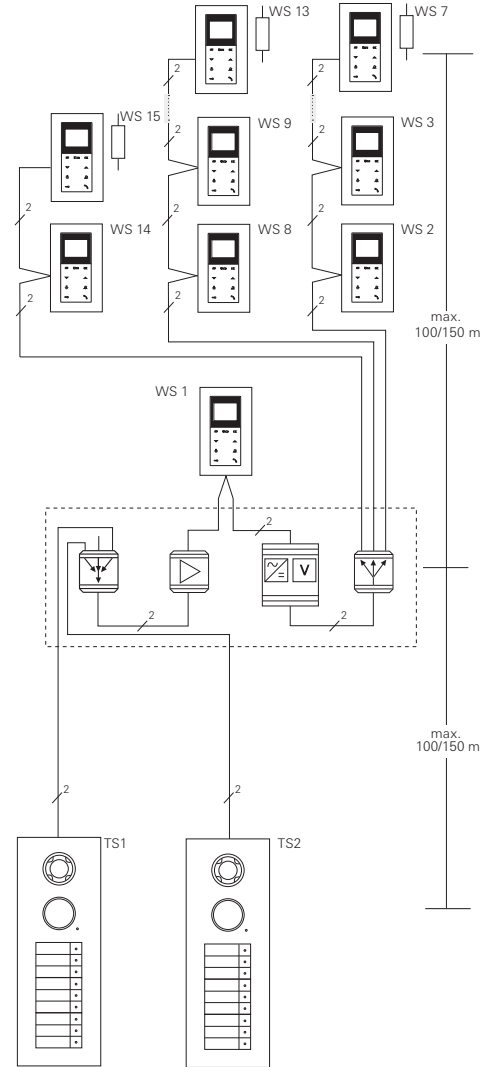
### Example 1



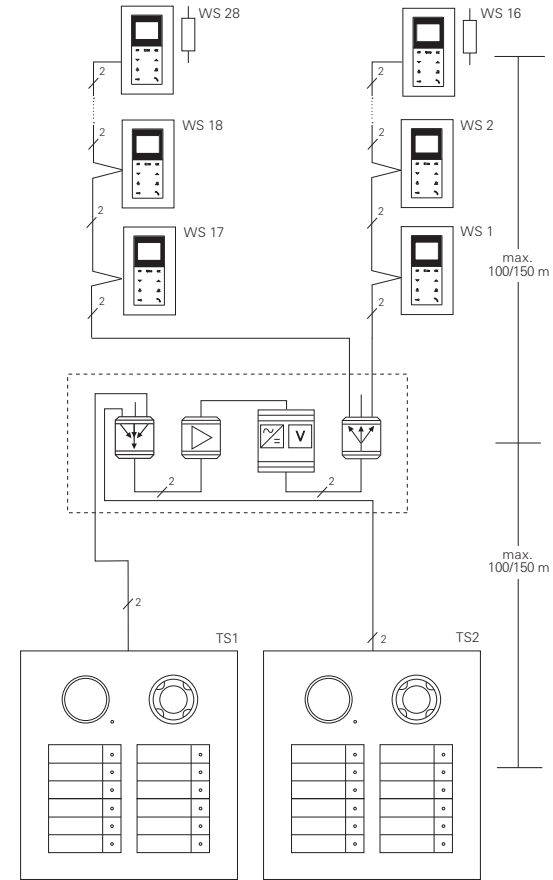
### Example 2



### Example 3






### Example 4



## Legend

The lengths specified in the example topologies apply for line diameters of 0.6/0.8 mm.

-  Video amplifier
-  Video multiplexer
-  Video distributor