

Mounting Instructions

**Call push button 1-gang
for indoor station**

1283 00

**Call push button 3-gang
for indoor station**

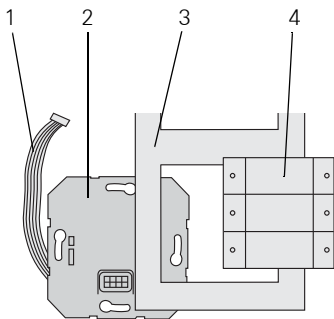
1285 00

GIRA

Device description

The call push buttons 1 and 3-gang are part of the Gira door communication system and are used to expand the indoor stations.

The basic structure is presented in the example of the call push button 3-gang:



- 1 Audio connection cable
- 2 Call push button insert
- 3 Cover frame (not in scope of supply)
- 4 Call push button 3-gang



Attention

Installation and mounting of electrical devices may only be carried out by a qualified electrician.

The call push buttons for indoor stations are operated together with a indoor station:

1. Insert the audio connection cable into a system connector of the bus coupler or speech insert of the indoor station.
2. Guide the audio connection cable into the panel box.
3. Insert the audio connection cable into a system connector of the call push button insert.
4. Install the call push button insert.
5. Set the cover frame in place and attach the central inserts to the flush-mounted inserts.

Start-up

Once you have installed all of the devices (outdoor and indoor stations, control unit etc.), you can start up the door communication system.

Start-up is described in the system manual included with the control unit.

Changing the label plates

To change the label plate, the call push button cover can be lifted up without any tools.

1. Pull the call push button off the flush-mounted insert.
2. Remove the call push button cover(s).
3. Change the label plate.
4. Clip the call push button cover(s) back on.

Suitable label plates can be obtained with the optional Gira labelling software and the appropriate Gira labelling sheets.

Acceptance of guarantee

The warranty is provided in accordance with statutory requirements via the specialist trade.

Please submit or send faulty devices postage paid together with an error description to your responsible salesperson (specialist trade/installation company/ electrical specialist trade).

They will forward the devices to the Gira Service Center.

Gira
Giersiepen GmbH & Co. KG
Elektro-Installations-
Systeme
Postfach 1220
42461 Radevormwald
Deutschland
Tel +49 (0) 21 95 / 602 - 0
Fax +49 (0) 21 95 / 602 - 191
www.gira.de
info@gira.de

GIRA

10 41 03 76 19/11