

**Panel with lighting, push switch,
two SCHUKO socket outlets and automa-
tic cable reel**

Order no.: 1334 xx

**Panel with lighting, push switch, two sok-
ket outlets with earthing pin and automa-
tic cable reel**

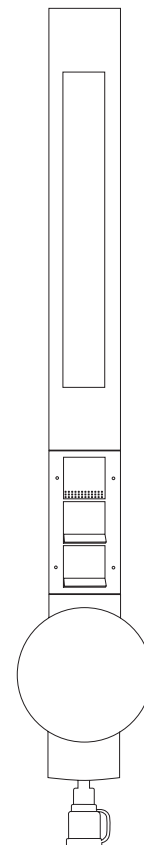
Order no.: 1338 xx

Device description

The Gira Panel combines various lighting and electrical functions, and can be extended easily and quickly. Lighting, switches and wall sockets are not spread over the entire wall anymore: all control elements are conveniently arranged.

The Gira panel can be integrated in existing installations and existing lights can be connected to the built-in push-button switch.

The Gira panel is available in pure white, anthracite and aluminium.



Installation

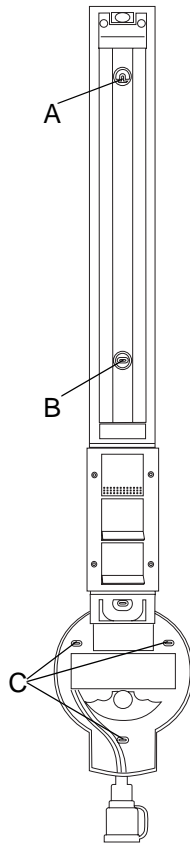
Note!

The installation and assembly of electrical equipment may only be performed by a qualified electrician.

The panel can only be installed vertically.

Please assemble the panel as follows:

1. Drill the upper hole (A) and insert a plug.
2. Tighten the screw and the washer.
3. Hang the panel onto the screw and mark the fixing holes (B, C).
4. Remove panel.
5. Drill holes (B, C) and insert plugs.
6. Hang panel onto screw and tighten screws. Please use the washers provided to protect the openings from moisture.
7. Connect power supply.
8. Install the light (fluorescent lamp: 13 W T 16). More information about the lighting can be found in the "Technical specifications".
9. Close the panel plates.



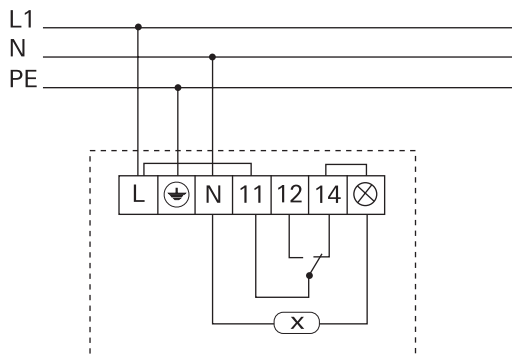
Selecting the mounting points

Tighten the panel with the screws at the points in the illustration. The three mounting points (C) are important. All three mounting points must be used due to the force created by the cable reel.

Connection

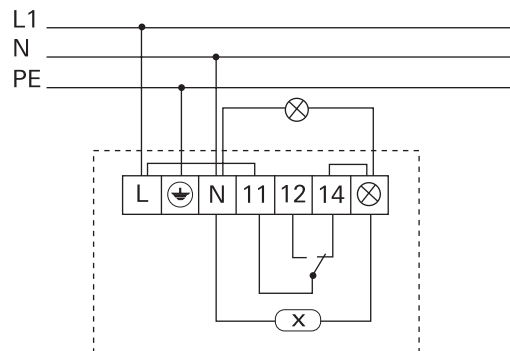
Power supply

The lighting element, the switches and socket outlets have already been pre-wired up to the connecting terminals. Connect the power supply to terminals L/N/⊕.



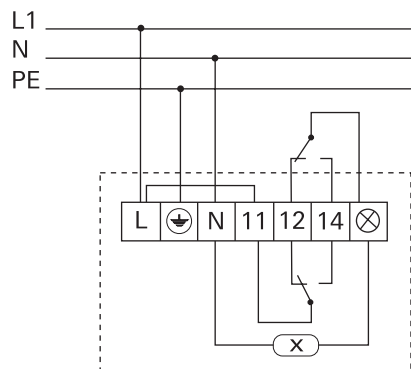
Connecting additional lighting

Additional lighting (e.g. ceiling lighting) which should be operated via the Panel's push switch are connected to the ⊗/N terminals.



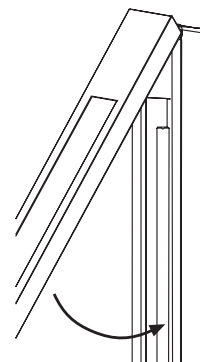
Integration in a two-way switch

To create a two-way switch, the bridge between terminals 14 and ⊗ must first be removed. Connect the corresponding two-way switch to terminals 12 and 14 and connect the switch wire to terminal ⊗.



Closing the Panel cover

The cover can be closed once the panel is assembled and connected and the lighting has been fitted. Place the lighting cover against the upper edge of the Panel's underside and press onto the casing (see illustration).



The cover for the cable reel can also be pressed on.

Reeling the cable in and off

The panel has an automatic cable reel. To wind the extension cable, pull the cable slowly out until it reaches a non-locking position. A non-locking position has been reached when the cable does not click into place. As soon as you have reached this position, the cable will reel in automatically.



Hold the cable while it reels in

The force created while reeling in can cause injury to people or damage objects. It is therefore important to keep hold of the cable while it is being reeled in.

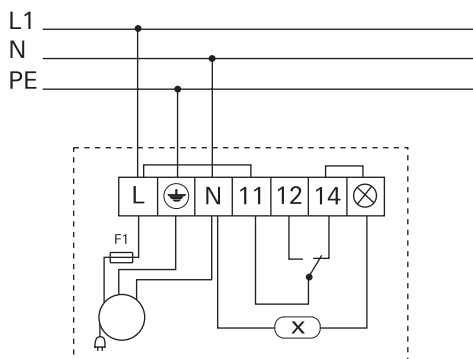


Disconnect the panel!

Before replacing fuses, make sure that the Panel is disconnected from the power supply!

A fuse protects the extension cable (F1) from over-voltage.

The fuse holder is above the upper light fitting. A spare fuse (T 6,3 A) is provided with the device



To replace the fuse, please follow the instructions below:

1. Disconnect the panel from the power supply!
2. Remove the lighting cover.
3. Remove the defective fuse from the fuse holder.
4. Fit the new fuse (T 6,3 A).
5. Close the cover.



Maximum load

Devices with a maximum load of 2000 W can be connected to the unwinding cable reel.

Do not connect any high inductive loads.

Technical specifications

Measurements: WxHxD 225 x 1230 x 85 mm

Classification: IP 44

Connections: Screw clamps 1 x 2.5 mm² or 2 x 1.5 mm²

Loading capacity of the extension lead: max. 2000 W (unwind)

Device fuse: T 6,3 A (ceramic casing)

Lighting: Fluorescent lamp (T16)

Power: 13 W

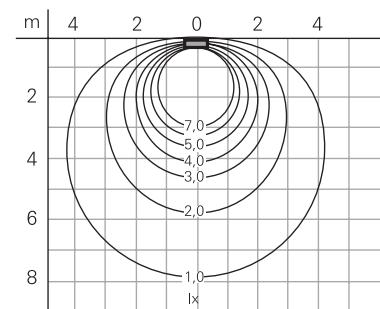
Length: 517 mm

Diameter: 16 mm

Socket: G5

e.g.: RADIUM NL-T5 13 W
OSRAM L 13 W
PHILIPS TL 13 W

Lighting range:



Leuchtmittel: 1xT 16 13 W
Lichtpunkthöhe über Boden: 1,55 m

Acceptance of guarantee

We accept the guarantee in accordance with the corresponding legal provisions.

Please return the unit postage paid to our central service department giving a brief description of the fault:

Gira
Giersiepen GmbH & Co. KG
Service Center
Dahlienstrasse 12
D-42477 Radevormwald



The CE sign is a free trade sign addressed exclusively to the authorities and does not include any warranty of any properties.

Gira
Giersiepen GmbH & Co. KG
Postfach 1220
D-42461 Radevormwald

Telefon: +49 / 21 95 / 602 - 0
Telefax: +49 / 21 95 / 602 - 339
Internet: www.gira.de