

Radio wall-transmitter flat design 1-gang

Order No. : 2251 ..

Radio wall-transmitter flat design 2-gang

Order No. : 2252 ..

Radio wall-transmitter flat design 4-gang

Order No. : 2254 ..

Operating instructions

1 Safety instructions

Electrical equipment may only be installed and fitted by electrically skilled persons.

Serious injuries, fire or property damage possible. Please read and follow manual fully.

Keep button cells out of reach of children! If button cells are swallowed, get medical help immediately.

Risk of explosion! Do not throw batteries into fire.

Risk of explosion! Do not recharge batteries.

The radio communication takes place via a non-exclusively available transmission path, and is therefore not suitable for safety-related applications, such as emergency stop and emergency call.

These instructions are an integral part of the product, and must remain with the end customer.

2 Device components

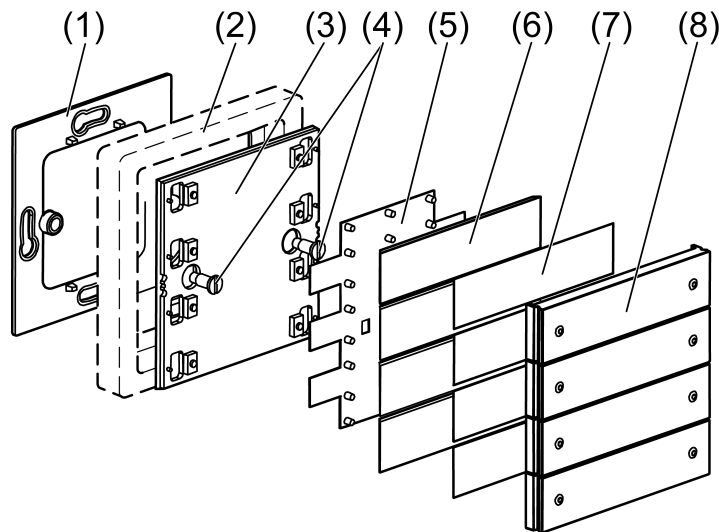


Figure 1

- (1) Base plate
- (2) Frame
- (3) Wall transmitter
- (4) Fastening screws
- (5) ESD protection mat
- (6) Rocker support
- (7) Labelling film
- (8) Operating rocker

3 Function

System information

By statute, the transmitting power, the reception characteristics and the antenna cannot be changed.

The range of a radio system from the transmitter to the receiver depends on various circumstances.

The range of the system can be optimised by selecting the optimal installation location, taking into account the structural circumstances.

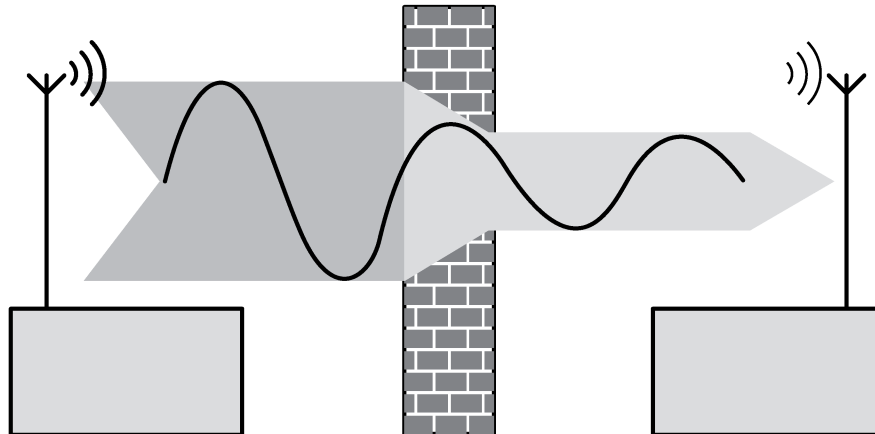


Figure 2: Reduced range due to structural obstacles

Example of penetration of various materials:

Material	Penetration
Wood, Plaster, Plasterboard	approx. 90%
Brick, Chipboard	approx. 70%
Reinforced concrete	approx. 30%
Metal, Metal grid	approx. 10%
Rain, Snow	approx. 1-40%

Intended use

- Radio transmitter for transmission of switching, dimming, blind movement and light scene commands
- Operation with suitable radio actuators
- Surface-mounted

Product characteristics

- Each two opposite buttons belong to one channel
- Functions can be set with 3gang function switch
- Special functions "All Off" or "Light scene" can be assigned to individual buttons
- Battery-powered device

4 Operation

Channel assignment of the wall transmitter

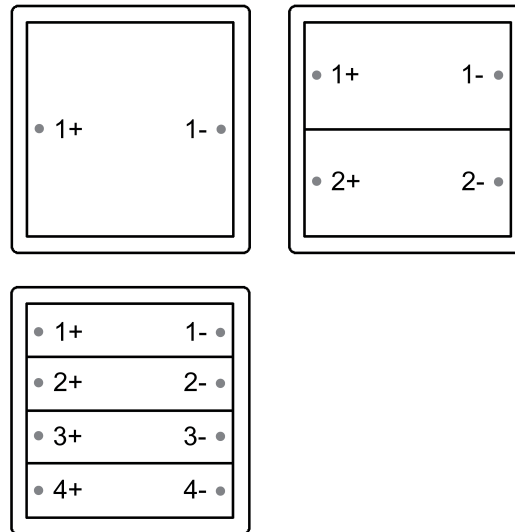


Figure 3: Channel assignment

Sending radio telegrams

- Press channel button, e.g. **1+**, to transmit a radio telegram.
The corresponding LED lights up as an acknowledgement.

As long as no light scene functions were selected, the following responses occur, depending on the type of receiver:

Button	Length	Lighting	Venetian blind
X+	less than 1 second	Switch on	Slat adjustment
X-	less than 1 second	Switch off	Slat adjustment
X+	longer than 1 second	brighter	Blind moves up
X-	longer than 1 second	darker	Blind moves down

- i** The maximum transmitting length is 12 seconds, even if another button is pressed after that.
- i** If more than one button is pressed at the same time, the radio telegram of only one button is transmitted.

Calling up light scenes

Light scene button has been taught (see Commissioning chapter).

The function switch of the corresponding button is set to **OFF**.

- Press the light scene button for shorter than 3 seconds.
Receiver switches to the stored light scene value.

Save light scene

Light scene button has been taught (see Commissioning chapter).

- Set the required lighting situation.
- Press the light scene button for longer than 3 seconds.

First the old light scene is called up; do not release the button during this. After about 3 seconds the new light scene is saved and activated.

- i** If during saving of a light scene the blind is not in an end position, or is on the way there, then that blind is not integrated into the light scene.

Call up All Off

In the teaching procedure for a channel button or a light scene button, the All Off button of the receiver is automatically also taught, with the exception of radio blind actuators.

Function switch 1 is in the **OFF** position (see Commissioning chapter).

- Press button **1**- longer than 1 second.
The loads at all taught receivers are switched off.

5 Information for electrically skilled persons

5.1 Fitting and electrical connection

Fitting the device

Maintain a distance of at least 1 m between transmitter and receiver.

Maintain distance from large-area metal objects, e.g. metallic door frames.

- i** Perform commissioning and teaching procedures before installation (see Commissioning).

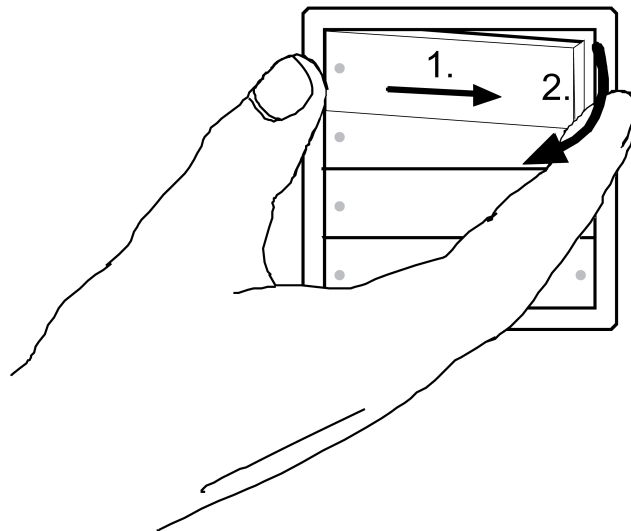


Figure 4: Remove operating rocker

Dismantle wall transmitter:

- Using your thumb, carefully push the operating rocker (8) and the labelling film (7) to the right and pull it off using your index finger (Figure 1).
- Pull off the rocker support (6) using the same procedure.
- Raise ESD protection mat (5).
- Carefully release fastening screws (4) using a screwdriver if the wall transmitter has been installed already.
The frame (2) and base plate (1) are detached from the wall transmitter (3).
- Inset battery if necessary (see section Changing the battery).

Fitting the wall transmitter:

Threaded bushings of the base plate must lie horizontally to each other.

- Glue or screw the base plate (1) to an even surface.
- Screw wall transmitter (3) with frame onto base plate.

- Apply ESD protection mat (5).
- Attach rocker support (6) and operating rocker (8) with inscription panel.

Changing the battery



WARNING!

Risk of chemical burns.

Batteries can burst and leak.

Replace batteries only with an identical or equivalent type.

- Unscrew wall transmitter from the base plate (see Connecting and mounting the device).

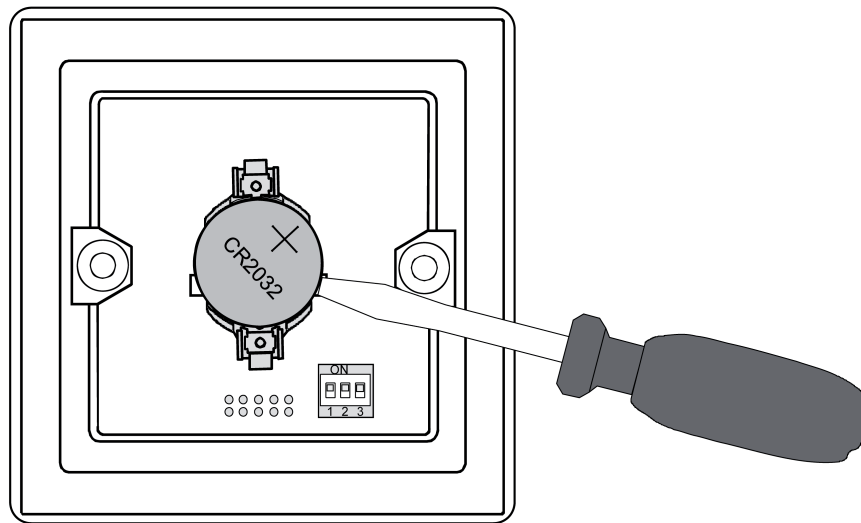


Figure 5: Remove battery

- Remove empty battery carefully using a screwdriver.

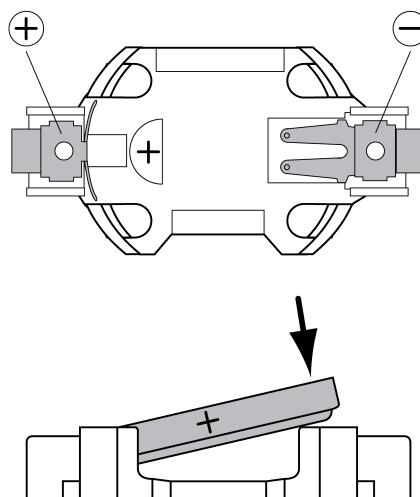


Figure 6: Insert battery

- **i** Keep contacts of batteries and device free of grease.
 - Apply new battery to the positive contact of the battery holder (Figure 6). Observe polarity: the positive pole of the battery must be at the top.

- Press gently on battery to snap it in.
- Mount wall transmitter on base plate.
- Press any button for approx. 1 second.

5.2 Commissioning

Setting functions

Wall transmitter is unscrewed from the base plate / the wall.

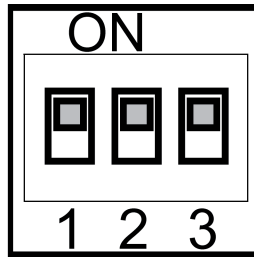


Figure 7: Function switch

- i** In the state as delivered all function switches are set to the **ON** position.
- Select functions of the buttons with the function switches according to the following table .

Function switch	Button	ON	OFF
1	Button 1- Button 1+	Channel 1- Channel 1+	All off Light scene 1
2	Button 2- Button 2+	Channel 2- Channel 2+	Light scene 2 Light scene 3
3	Button 3- Button 3+	Channel 3- Channel 3+	Light scene 4 Light scene 5

- i** The buttons **4+** and **4-** always correspond to the channels **4+** and **4-**.

Teaching transmitter in radio receiver

In order for a receiver to understand a radio telegram from the transmitter, the receiver has to "learn" this radio telegram. A channel of the transmitter can be taught in any number of receivers. The teaching procedure only results in an assignment in the receiver.

When teaching a transmitter, the range of the receiver is reduced to about 5 m. The distance between the receiver and the transmitter being taught should therefore be between 0.5 m and 5 m.

The function switch for the channel being taught is set to **ON**.

- Switch radio receiver to programming mode (see instructions for receiver).
 - Press the "+" or "-" button of the desired channel longer than 1 second.
 - Exit programming mode of the receiver (see instructions for the receiver).
- The channel of the transmitter has now been taught in the radio receiver.

Teaching a light scene button

The function switch for button being taught is set to **OFF**.

- Switch receiver to programming mode (see instructions for receiver).
- Press the light scene button for longer than 3 seconds.
- Exit programming mode of the receiver (see instructions for the receiver).

Light scene button has been taught.

Deleting All Off

If a certain receiver should not respond to the All Off button, then this function has to be deleted.

- Switch receiver to programming mode (see instructions for receiver).
- Press All Off button 1- for longer than 10 seconds.
Function has been deleted.
- Exit programming mode of the receiver (see instructions for the receiver).

6 Appendix



Remove empty batteries immediately and dispose of in an environmentally friendly manner. Do not throw batteries into household waste. Consult your local authorities about environmentally friendly disposal. According to statutory provisions, the end consumer is obligated to return used batteries.

6.1 Technical data

Rated voltage	DC 3 V
Battery type	1×lithium CR 2032
Ambient temperature	0 ... +55 °C
Relative humidity	max. 80 % (No moisture condensation)
Degree of protection	IP 20
Radio frequency	433.05 MHz ... 434.79 MHz
Transmitting range in free field	typ. 100 m
Transmission capacity	< 10 mW

6.2 Troubleshooting

After a brief button-press the LEDs flash five times.

Cause: battery in the wall transmitter is almost empty.

Change battery (see section changing the battery).

Receiver does not respond, or only sometimes.

Cause 1: Radio range exceeded. Structural obstacles reduce the range.

Using a radio repeater.

Cause 2: function switches are in the wrong position.

Check positions of function switches.

6.3 Conformity

Gira Giersiepen GmbH & Co. KG hereby declares that the radio system type

Order No. 2251 .. / 2252 .. / 2254 ..

corresponds to the directive 2014/53/EU. You can find the full article number on the device. The complete text of the EU Declaration of Conformity is available under the Internet address:

www.gira.de/konformitaet

6.4 Warranty

The warranty follows about the specialty store in between the legal framework as provided for by law

Please submit or send faulty devices postage paid together with an error description to your responsible salesperson (specialist trade/installation company/electrical specialist trade). They will forward the devices to the Gira Service Center.

Gira
Giersiepen GmbH & Co. KG
Elektro-Installations-
Systeme

Industriegebiet Mermbach
Dahlienstraße
42477 Radevormwald

Postfach 12 20
42461 Radevormwald

Deutschland

Tel +49(0)21 95 - 602-0
Fax +49(0)21 95 - 602-191

www.gira.de
info@gira.de