

1-gang water-protected surface-mounted KNX push-button bus coupler with single-point operation

Order No. : 5151 30

1-gang water-protected surface-mounted KNX push-button bus coupler with two-point operation

Order No. : 5152 30

2-gang water-protected surface-mounted KNX push-button bus coupler with single-point operation

Order No. : 5161 30

2-gang water-protected surface-mounted KNX push-button bus coupler with two-point operation

Order No. : 5162 30

Operating instructions**1 Safety instructions**

Electrical equipment may only be installed and fitted by electrically skilled persons.

Serious injuries, fire or property damage possible. Please read and follow manual fully.

These instructions are an integral part of the product, and must remain with the end customer.

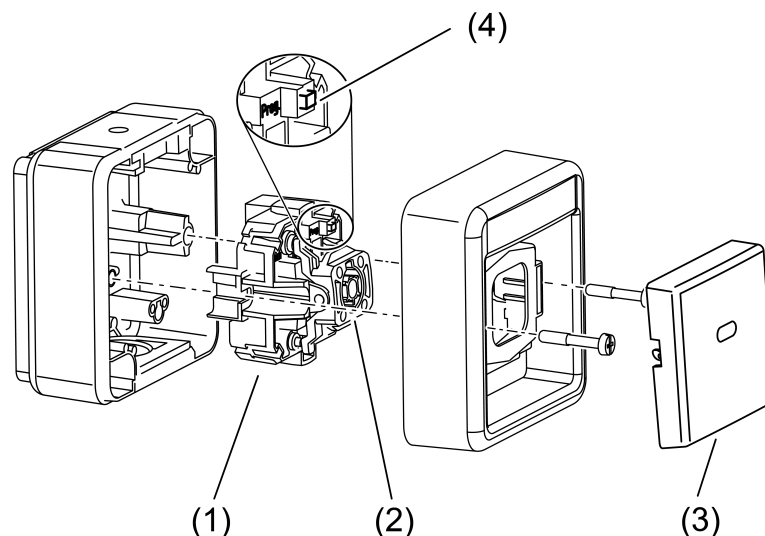
2 Device components

Figure 1

- (1) Push-button BA
- (2) Rocker switch
- (3) Rocker
- (4) Programming button and LED

3 Function**System information**

This device is a product of the KNX system and complies with the KNX directives. Detailed technical knowledge obtained in KNX training courses is a prerequisite to proper understanding.

The function of this device depends upon the software. Detailed information on loadable software and attainable functionality as well as the software itself can be obtained from the manufacturer's product database. Planning, installation and commissioning of the device are

carried out with the aid of KNX-certified software. The latest versions of product database and the technical descriptions are available on our website.

Intended use

- Operation of loads, e.g. light on/off, dimming, blinds up/down, brightness values, temperatures, calling up and saving light scenes, etc.
- Installation in the water-protected surface-mounted housing

Product characteristics

- Adaption of conventional switch ranges for KNX installations
- WP surface-mounted version: With water-protected surface-mounted box IP 44

Depending on the version:

- Push switch function with 1 pressure point, or rocker switch function with 2 pressure points

4 Information for electrically skilled persons



DANGER!

Electrical shock on contact with live parts in the installation environment.

Electrical shocks can be fatal.

Before working on the device, disconnect the power supply and cover up live parts in the working environment.

4.1 Fitting and electrical connection

Connecting and fitting the device

- Connect bus line with terminal to bus connection at the back.
- Install the device in the right orientation on an appliance box. Observe the marking OBEN.
- Load physical address into the device before mounting the rockers.
- Attach operating rockers together with the corresponding frame.

4.2 Commissioning

Load the address and the application software

- Switch on the bus voltage.
- Press the programming button carefully with a suitable tool.
The programming LED lights up.
- Assign physical address.
The programming LED goes out.
- Write the physical address on the device label.
- Load the application software into the device.

5 Appendix

5.1 Technical data

KNX medium	TP
Commissioning mode	S-mode
Rated voltage KNX	DC 21 ... 32 V SELV
Power consumption KNX	typical 150 mW
Protection class	III
Connection mode KNX	Connection terminal
Ambient conditions	
Ambient temperature	-25 ... +55 °C
Storage/transport temperature	-25 ... +70 °C
Relative humidity	5 ... 93 % (No moisture condensation)
Degree of protection	IP 44

5.2 Warranty

The warranty is provided in accordance with statutory requirements via the specialist trade.

Please submit or send faulty devices postage paid together with an error description to your responsible salesperson (specialist trade/installation company/electrical specialist trade). They will forward the devices to the Gira Service Center.

Gira
Giersiepen GmbH & Co. KG
Elektro-Installations-
Systeme

Industriegebiet Mermbach
Dahlienstraße
42477 Radevormwald

Postfach 12 20
42461 Radevormwald

Deutschland

Tel +49(0)21 95 - 602-0
Fax +49(0)21 95 - 602-191

www.gira.de
info@gira.de