

KNX RF wall transmitter
2-gang 5178 ..



10869864 37/22

GIRA

Gira
Giersiepen GmbH & Co. KG
Elektro-Installations-
Systeme

Industriegebiet Mermbach
Dahlienstrasse
42477 Radevormwald

P.O. Box 12 20
42461 Radevormwald

Germany

Tel +49 (0)21 95 - 602-0
Fax +49 (0)21 95 - 602-191

www.gira.de
info@gira.de

Safety information



Electrical devices may only be installed and connected by a qualified electrician.

Serious injury, fire or damage to property possible. Read and observe these instructions completely.

Wireless transmission uses a non-exclusive transmission path and is therefore not suitable for applications in the security technology sector such as emergency-off or emergency calls.

These instructions are an integral component of the product and must remain with the end customer.

Battery safety instructions

This device or its accessories are supplied with button cell batteries.

DANGER! Batteries can be swallowed. This can lead directly to death by suffocation. Dangerous substances can cause severe internal burns leading to death within 2 hours.

Keep new and used batteries away from children.

Do not use any devices on which the battery compartment cannot be closed reliably, and keep them away from children.

If you suspect that a battery has been swallowed or is in any orifice of the body, seek medical attention immediately.

WARNING! Improper handling of batteries may result in an explosion, fire or burns due to leakage.

Do not heat batteries or throw batteries into fires.

Do not reverse the polarity, short-circuit or recharge batteries.

Do not deform or disassemble batteries.

Only replace batteries with the same or equivalent type.

Remove flat batteries immediately and dispose of them in an environmentally sound manner.

Device components (Figure 1–4)

- 1 Rockers
- 2 Wireless module
- 3 Holding frame
- 4 Cover frame
- 5 Base plate
- 6 Adhesive points
- 7 Adhesive film (cut to size if necessary)
- 8 Starting point for levering out
- 9 Programming LED
- 10KNX LED
- 11Programming button
- 12USB connection

Function

System information

This device is a product for the KNX system and complies with the KNX guidelines. Detailed specialist knowledge acquired in KNX training courses is required to understand the system.

The function of the device depends on the software. Detailed information regarding sof-

ware versions and their range of functions as well as the software itself can be found in the manufacturer's product database.

The device is compatible with KNX Data Secure. KNX Data Secure provides protection from the manipulation of building automation, and can be configured within the ETS project. Detailed specialist knowledge is required. For secure start-up, a device certificate is required, which has been applied to the device.

Device planning, installation and start up all use ETS, version 5.7.7 or higher.

The range of a wireless system depends on various external factors. This range can be optimised by the ideal choice of the installation site.

Materials	Penetration
Wood, plaster, plasterboard	approx. 90%
Brick, pressboard	approx. 70%
Reinforced concrete	approx. 30%
Metal, metal mesh	approx. 10%
Rain, snow	approx. 1 to 40%

Intended use

- Wireless transmitter that communicates on the basis of the KNX RF standard.
- Installation on device box in compliance with DIN 49073 or on smooth, flat surfaces using screws or adhesive bonding.

Operation

Transmitting wireless telegrams

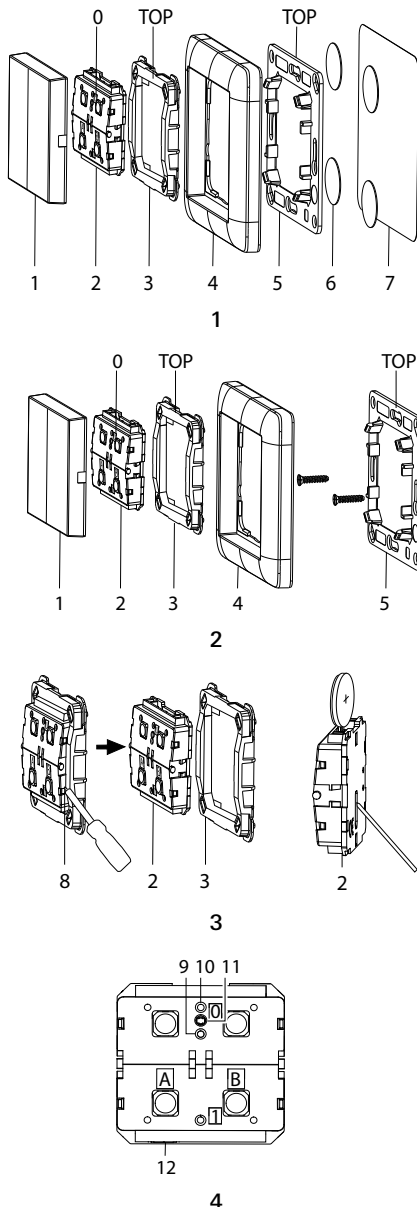
- Press rocker/button to send a wireless telegram.

Assembly

To achieve good transmission quality, ensure a sufficient distance to possible sources of interference, e.g. metal surfaces, microwave ovens, hi-fi systems, TV sets, ballasts and electronic transformers.

Adhesive mounting (Figure 1)

- Ensure that the surface is clean, free of grease and able to bear the load.
- Apply the adhesive film (7) beforehand in the case of transparent surfaces.
- Apply adhesive points (6) to the surface or to the adhesive film (7) in the case of transparent surfaces.
- Press the base plate (5) firmly onto the adhesive points (6).
- Push the battery into the wireless module (2) using your finger.
- Push the cover frame (4) onto the base plate (5).
- Fit the holding frame (3) onto the cover frame (4).
Note: A higher contact pressure is required for initial installation.
- Press the wireless module (2) into the holding frame (3).
- Fit the rockers (1).



Screw mounting (Figure 2)

- Mount the base plate (5) on a device box or directly on the wall.
- Push the battery into the wireless module (2) using your finger.
- Place the cover frame (4) on the base plate.
- Fit the holding frame (3) onto the cover frame (4).
Note: A higher contact pressure is required for initial installation.
- Press the wireless module (2) into the holding frame (3).
- Fit the rockers (1).

Start-up

Secure operation (requirements):

- Secure start-up is activated in the ETS.
- Device certificate entered/scanned or added to the ETS project. Using a high-resolution camera to scan the QR code is recommended.
- Document all passwords and keep them safe.

Program the physical address and application program



Note

Project planning and start-up with ETS version 5.7.7 or higher.
Start-up using USB is described in the technical documentation.

The programming key (11) is located right in between the two rocker switches (see Figure 4).

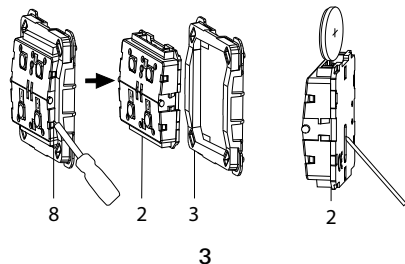
Requirement: The battery has been inserted and the device is ready for operation.

- Activate programming mode: Press the programming button (11). The programming LED (9) lights up red. Programming mode is activated.
- Program the physical address and application program.
The programming LED (9) goes out. The physical address has been programmed. The device is ready for operation.

Replacing the battery

(Figure 1,2)

- Remove the rockers (1).

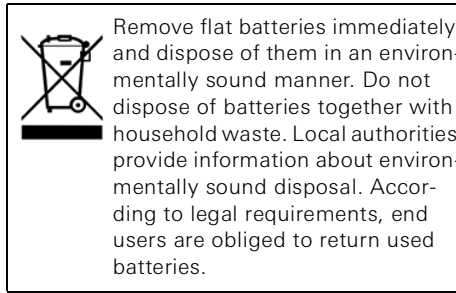


- Lever the wireless module (2) out of the holding frame (3) at the right or left using e.g. a screwdriver (8).
- At the opening on the rear of the wireless module (2), use a non-conductive tool to push the battery out of the device.
- Use your finger to insert the new battery. Observe the correct polarity!

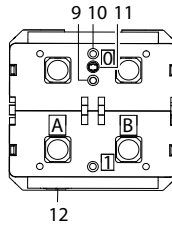
(Figure 1,2)

- Press the wireless module (2) into the holding frame (3).
- Fit the rockers (1).

Battery disposal



LED displays (Figure 4)



Programming LED (red)

lights up	Programming mode active
flashes quickly	Device not correctly charged, e.g. download cancelled
flashes slowly	Ready to receive
flashes 1x	After key is pressed
flashes every 5 s	Battery voltage <2.6 V
off	Sleep mode

KNX LED (green)

flashes	KNX communication active
---------	--------------------------

Reset to factory settings

Requirement: The battery has a voltage of at least 2.6 V.

- Remove the battery (see Replacing the battery).
- Press programming button (see Figure 4).
- Press the programming button again and keep it pressed; insert the battery while doing so and continue holding the programming button pressed for at least another 6 seconds.
When all LEDs briefly flash, this indicates that the factory settings have been successfully reset.

Disassembly

(Figure 1,2)

- Remove the rockers (1).
- If there are multiple frames, remove all other top units.

(Figure 3)

- Lever the wireless module (2) out of the holding frame (3) at the right or left using e.g. a screwdriver (8).

(Figure 1,2)

- Carefully pull the holding frame (3) off the base plate (5) using the cover frame (4) to

avoid damaging the cover frame (4).

Technical data

KNX medium:	RF1.R
Start-up mode:	S mode
Rated voltage:	DC 3 V
Battery:	1 × CR 2032
Ambient temperature:	−5 °C to +45 °C
Wireless frequency	868.3 MHz
Transmission power	max. 20 mW / 12 dBm
Transmission range	
in free field:	up to 100 m
in buildings:	approx. 10 m
Protection type:	IP 20

Conformity

Gira Giersiepen GmbH & Co. KG hereby declares that the wireless system type Item no. 5178 .. is compliant with Directive 2014/53/EU. The complete item number can be found on the device. The complete text of the EU declaration of conformity is available at the following Internet address:
www.gira.de/konformitaet

Warranty

The warranty is provided by the retailer in accordance with the statutory requirements. Please hand over or send faulty devices, postage exempt, and with a description of the problem to your supplier (retailer/installation company/electronics retailer). They will forward the devices to the Gira Service Centre.