

Door module
5216 00

10863927 43/18



GIRA

General safety instructions

Electrical devices may only be installed and connected by a qualified electrician. Read these instructions in full and observe them. These instructions are part of the product and must remain with the end customer.

Product features

The use of the door module allows the realization of the inevitable activation at „External activated“. Activation is carried out by operation of a connected key switch in combination with a blocking element and a bolt switching contact.

Items delivered

- 1 x door module
- 1 x installation and operating instructions
- 1 x connecting line

Ensure the package contents are complete and undamaged. When filing complaints, see "Warranty".

Required accessories

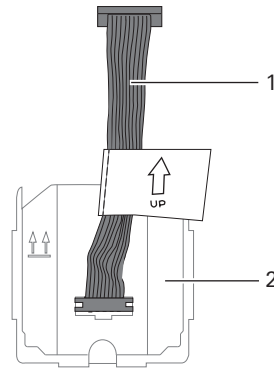
- Wireless operating unit (item no. 5212 03)
- Flush-mounted power supply 12 V DC (item no. 5219 00)
- Surface-mounted device carrier (item no. 5213 16)

Accessories

- Motor-driven blocking element/VdS (item no. 0939 00)
- Bolt switching contact/VdS (item no. 0924 00)
- Key switch/VdS (item no. 0134 00 or 0135 00)

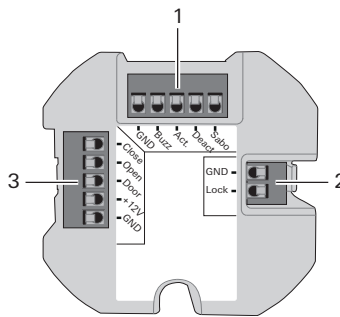
Device description

Front



- 1 Connecting line door module (plugged-in on-sided)
- 2 Door module

Back



- 1 **Upper plug-in terminal**
GND: Ground
Buzz: Internal buzzer
Act.: Activation
Deact.: Deactivation
Sabo: Tamper contact
- 2 **Right plug-in terminal**
GND: Masse (Ground)
Lock: Contact
- 3 **Left plug-in terminal**
Close: Input „Close“
Open: Input „Open“
Door: Door contact
+12V: DC 12 V output
GND: Ground

Commissioning the door module

Conditions for device commissioning

The project must first be successfully commissioned in GPA.

Gira Projekt Assistent (GPA)

The security system Alarm Connect is configured via GPA. The door module is activated in the GPA at the corresponding wireless operating unit. The alarm mode can be selected between "Blocking element" or "No forced operation".

The door module itself will not be put into operation rather the wireless operating unit. Commissioning the wireless operating unit see referring operating manual.

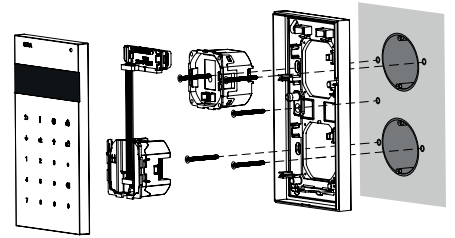
Installing the door module

When using the door module the flush-mounted power supply DC 12 V and the surface-mounted device carrier (see „Accessories“) are essential.

Position des Türmoduls beachten

Observe the following when installing the door module in the surface-mounted device carrier:

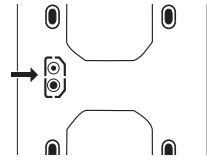
- Always put the flush-mounted power supply DC 12 V Unterputz into the upper opening.
- Always put the door module into the lower opening.



Connect accessories

Detailed information for the respective accessories can be found in the corresponding operating instructions.

1. Install the surface-mounted device carrier on the flush-mounted device box. Secure the contact surface for the tamper contact with a screw.



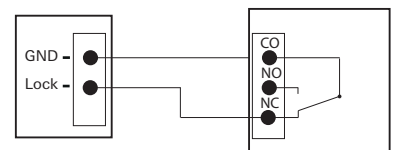
2. Wire the flush-mounted power supply and put it in the upper opening of the device carrier.
3. Wire the door module as described below and insert it into the lower opening of the device carrier.

Connecting examples for Gira accessories

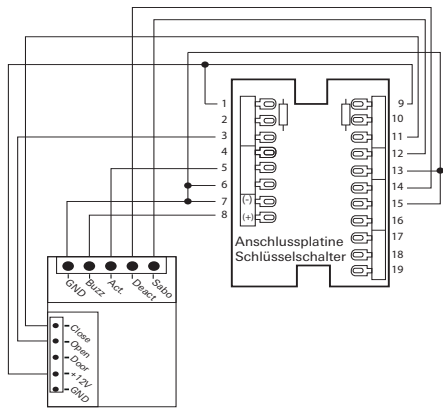
Example for bolt switching contact/VdS

Installation note

Connect the bolt switching contact/VdS in that way so the contact is closed when the door is closed.



Example for key switch/VdS



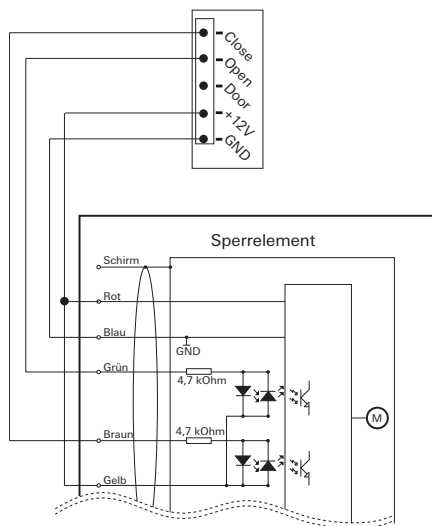
Door module	Key switch	Description
Sabo	12	Tamper contact
Deact	14	Deactivation
Act.	5	Activation
Buzz	8	Internal buzzer
GND	6, 7, 13, 15	Ground
Close	11	Input „Close“
Open	3	Input „Open“
+ 12 V	1, 9	DC 12 V output

Example for motor-driven blocking element/VdS



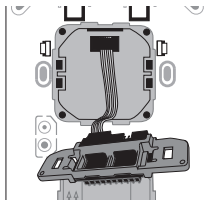
Installation hint

The magnet contact is part of the motor-driven blocking element/VdS. An additional magnet contact is not necessary.

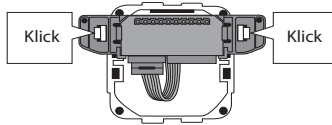


Door modul	Blocking element	Description
Close	Brown	Input blocking element „Close“
Open	Green	Input blocking element „Open“
Door	GND/Blue	-
+12V	Red	Supply DC12 V
GND	Blue	Ground

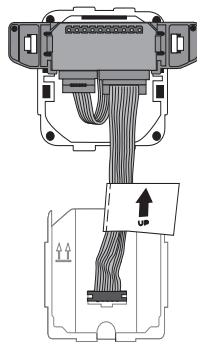
- Plug the connecting line in the power supply flush-mounted and in the contact strip.



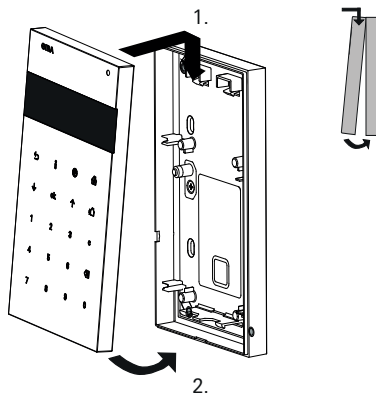
- Lock the contact strip twice audible (Klick) with the device carrier.



- Plug the connecting line of the door module in the contact strip.



- Attach the wireless control unit to the surface-mounted device carrier (attach from above and swivel in from below) and lock audibly.



Technical Data

Power supply: Type B: DC 12 V
via item no.
5219 00

When connecting a key switch/VdS

Current output each LED: max. 10 mA
Current output buzzer: max. 25 mA
Rating of all contacts: max. DC 60 V, 500 mA

When connecting a bolt switching contact/VdS

Contact rating: max. 3 W/VA
Switching capacity: max. DC 30 V
Switching current: 5 to 300 mA

When connecting a motor-driven blocking element/VdS

Current output closing: max. 80 mA
Current output blocking: max. 160 mA (short-term, because automatic shutdown)

Power for activation per input: < 3 mA

Device - general

Ambient temperature: -10°C to +55°C
Storage temperature: -35 °C to +70 °C

Warranty

The warranty is provided in accordance with statutory requirements via the retailer. Please submit or send faulty devices postage paid and with an error description to your sales representative (retailer / installation company / electrical contractor). The sales representative will forward the devices to the Gira Service Centre.

Gira

Gira
Giersiepen GmbH & Co KG
Electrical installation systems

P.O. Box 1220
42461 Radevormwald, Germany

Phone: +49 (0) 2195 602 - 0
Fax: +49 (0) 2195 602 - 191

info@gira.de
www.gira.de