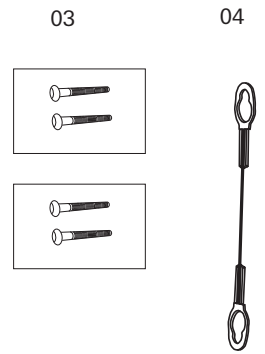
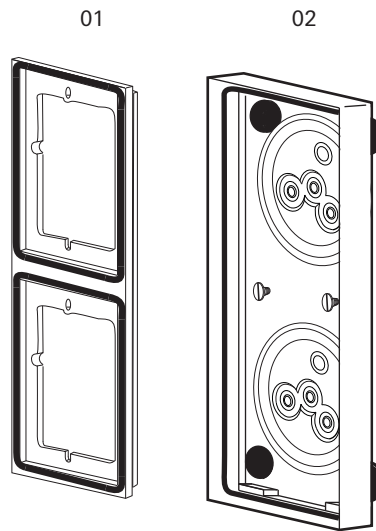


System 106 flush-mounted housing 1-gang to 5-gang

5511 00
5512 00
5513 00
5514 00
5515 00
5518 00



10 86 81 98 21/23



For your safety



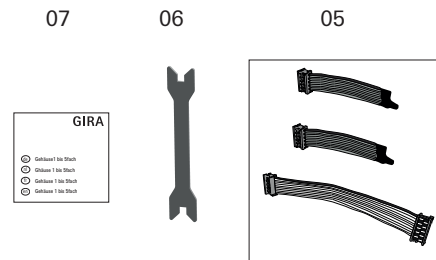
Electrical devices may only be installed and connected by a qualified electrician.

These instructions are part of the product and must remain with the end customer. Read the instructions before use and observe the notes. Mounting example: surface-mounted housing, 2-gang.

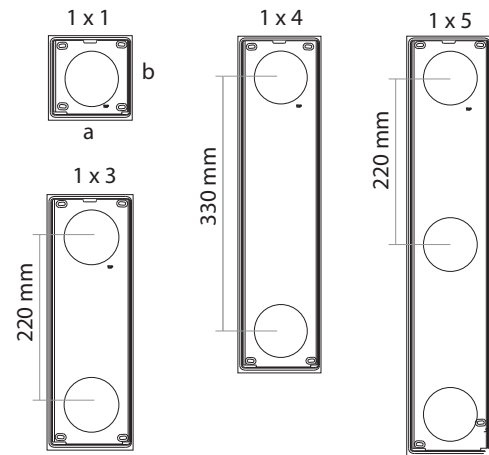
Flush-mounting in a front module

The instructions only describe the flush mounting of the housing in a front module. The front module must be mounted in balance on site before the housing is mounted. Later alignment is not possible. For mounting on a metal front, observe the instructions enclosed with the installation box for the metal front.

- | | | |
|----|-----|---|
| 01 | 1 x | Function carrier |
| 02 | 1 x | Housing |
| 03 | 2 x | Schrauben (Ø 6 mm) |
| 04 | 1 x | Screws |
| 05 | 1 x | System cables and terminating resistors (from 2-gang housing) |
| 06 | 1 x | Bit holder and bit |
| 07 | 1 x | Montageanleitung |

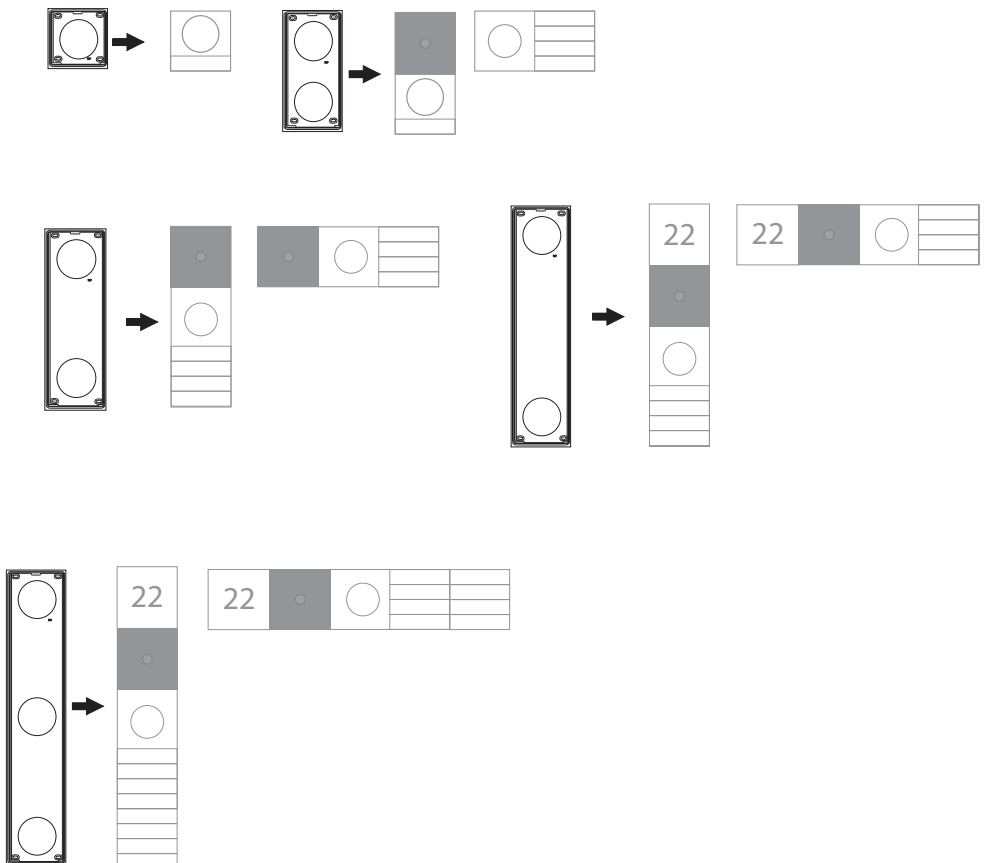


Dimensions



	a	b
1 x 1	= 106,5	x 106,5 mm
1 x 2	= 106,5	x 213,0 mm
2 x 2	= 213,0	x 213,0 mm
1 x 3	= 106,5	x 319,5 mm
1 x 4	= 106,5	x 426,0 mm
1 x 5	= 106,5	x 532,5 mm

Mounting examples



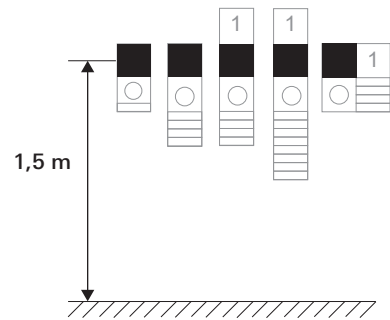
Mounting preparation

Montagehöhe und Kabellänge beachten

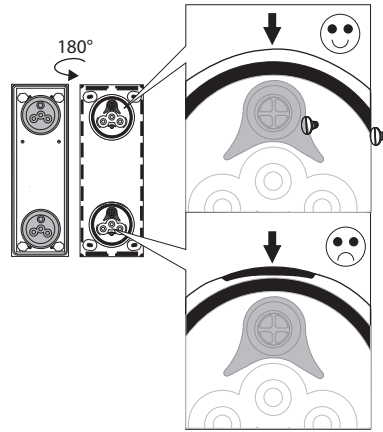
Observe recommended mounting height for camera (item no. 5561 00) or display module (item no. 5561 00). Do not plan the cable bushing for the connection cable at the height of these modules!

Recommendation: Use lower bushing with vertical mounting. The connection cable should not be longer than max. 1.5 x the length of the used surface-mounted housing.

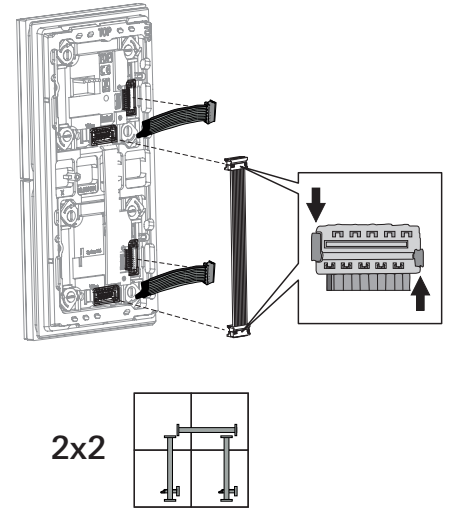
Art.-Nr. 5561 00 / 5567 00



Should the seal cap become detached during mounting, reinsert the seal cap and check for correct positioning to ensure tightness.

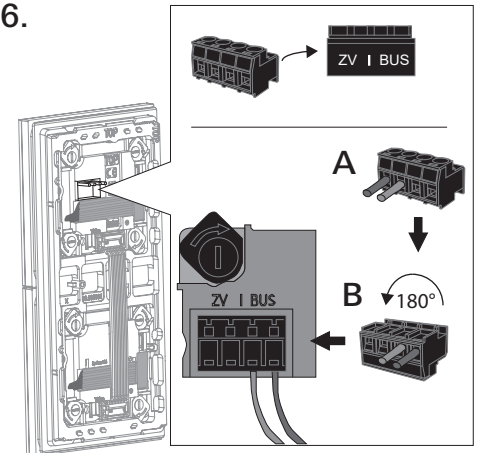


5.



Attach the terminating resistors first, followed by the system cable. Always connect a terminating resistor to the first and last module on the system cable.

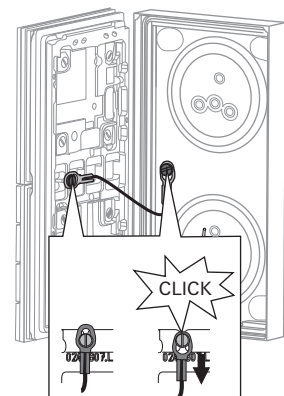
6.



Trim connection cable to length and connect to plug terminal (A). Rotate plug terminal by 180° (B) and attach to the connector of the voice module or door station module.

No jumpers between BUS and ZV
No bridges may be laid between BUS and ZV on the module. The module automatically detects whether an additional power supply is connected.

7.



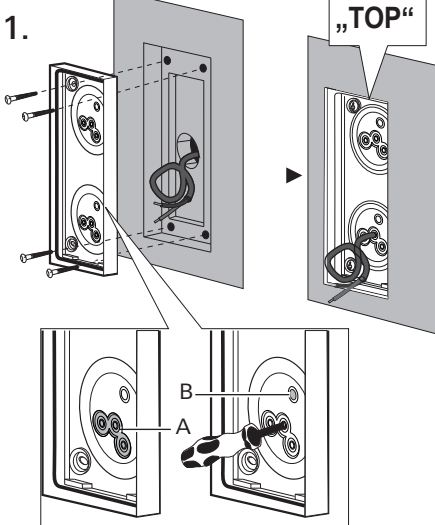
Attach safety bond (l: 120 mm).

Mounting in a front module

Here you can find the video for the installation:

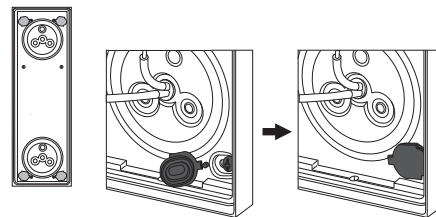


<https://bda.gira.de/VideoSys106EinbauWDVS>



Select an opening (A) for the cable feed-through and pierce it with a round object (no cross-shaped cut). Never use the diaphragm (B) for the cable entry! Completely feed the connection line through the opening and mount the housing so that the distances between enclosure and front module are symmetrical.

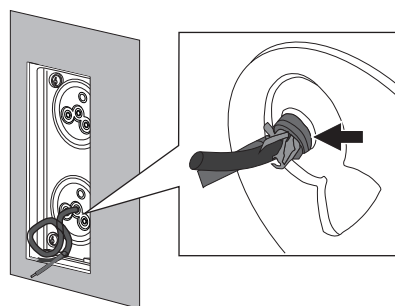
2.



Firmly push wall fitting plug into the groove and check for proper seating.

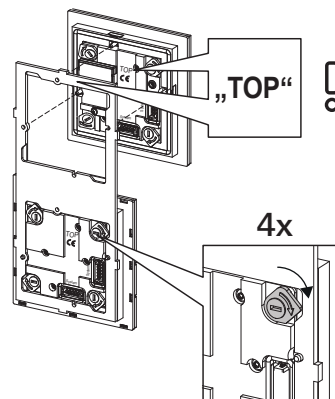
When using other screw types: Use screws with a head height of max. 2.8 mm, e.g. screws according to DIN 7996.

3.



Strip insulation of the connection cable as close as possible to the seal cap (see arrow). The stripped part of the connection cable may not be behind the seal cap as this does not guarantee a functional seal.

4.



Insert the modules into the function carrier (observe TOP marking) and lock (slot screwdriver 4 x 0.8 mm). For detailed information on the module please refer to the operating instructions of the individual modules.

GIRA

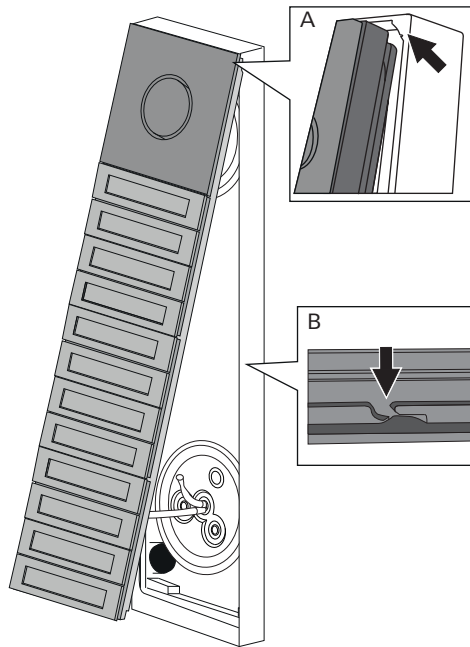
Giersiepen GmbH & Co KG
Elektro-Installations-Systeme

Industriegebiet Mermbach
Dahlienstraße
42477 Radevormwald

Postfach 1220
42461 Radevormwald

Tel.: +49 2195 602 - 0
Fax: +49 2195 602 - 191

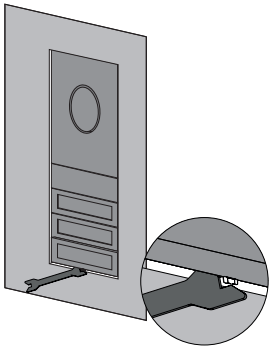
www.gira.de
info@gira.de



Swivel the function carriers into the surface-mounted housings (A). Do not pinch any cables. Pay attention to the position of the line material and the safety bound!

With 4-gang and 5-gang surface-mounted housings, observe additional snap lock (B).

9.



Gently tighten the screw to lock the housing using the enclosed locking key (0,6 Nm). The application angle is 90°.