

System 106  
installation box  
for flush  
mounting

# GIRA



10868177 21/23

- 5521 00
- 5522 00
- 5523 00
- 5524 00
- 5525 00
- 5528 00

## General safety instructions



Electrical devices may only be installed and connected by a qualified electrician!

These instructions are an integral part of the product and must remain with the end customer.

Read and follow the instructions before use.  
Installation example: Installation box, 2-gang.

Required accessories:

- System 106 housing for flush mounting (551X 00)

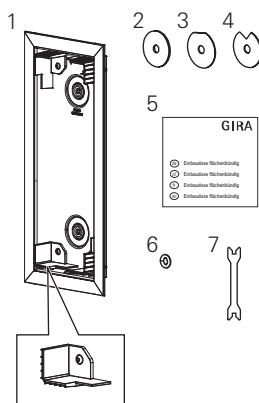
## Installation

The video on installation can be found here:



<https://bda.gira.de/VideoSys106EinbauMetall>

## Included contents



- 1 1x installation box with 4 mounting corners
- 2 12x washers, 1 mm
- 3 8x washers, 0.5 mm
- 4 4x washers, 0.25 mm
- 5 1x installation instructions
- 6 4x O-rings
- 7 1x locking key
- 8 1x cleaning cloth

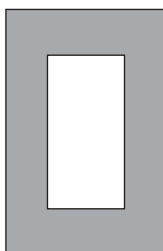
Ensure the package contents are complete and undamaged. Please see "Warranty" in the case of any defects.

## Information for the metalworker

### System 106 colour variant surfaces:

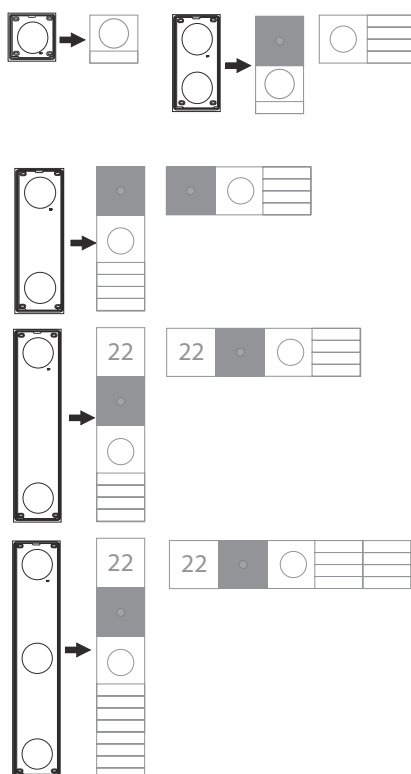
- Stainless steel V2A (order no ...920): ground, grain: 240, horizontal grinding direction
- Aluminium (order no ...926): natural, protective anodised finish
- Traffic white (order no ...902): aluminium base material, painted, RAL 9016, matt
- Stainless steel V4A (order no ...914): brushed, grain: 280, horizontal brushing direction
- Bronze (order no ...921): Stainless steel 2VA base material, ground, grain: 180, horizontal grinding direction,
- PVD coating, Lab values: (L=63 / a=8 / b=15.5)

### Cut-out dimensions

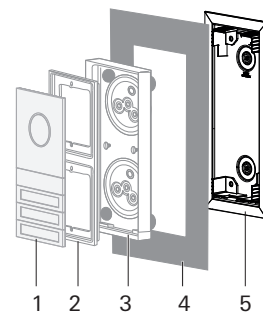


Number of modules	Length in mm	Width in mm
1	110.5	110.5
2	217	110.5
3	323.5	110.5
4	430	110.5
5	536.5	110.5
2x2	217	217

### Installation examples



## Order of components when installing



- 1 System 106 module
- 2 Function carrier
- 3 Housing
- 4 Front plate
- 5 Installation box

## Installation



### Installation notes

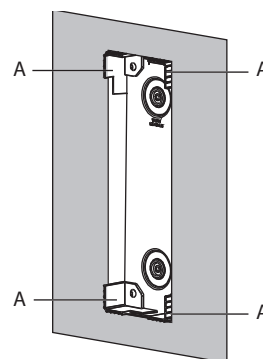
The installation box can be glued to unpainted stainless steel, aluminium or brass surfaces with a measured roughness (Ra) of 0.5 µm to 0.7 µm.

Before installing the system, we advise that you check that the front plate and System 106 surface materials match (see "Information for the metalworker").

The system can be installed at temperatures between 15°C and 25°C. Use the cleaning cloth provided to clean the adhesive area on the front plate and to remove any grease. This will help ensure a permanent adhesive bond.

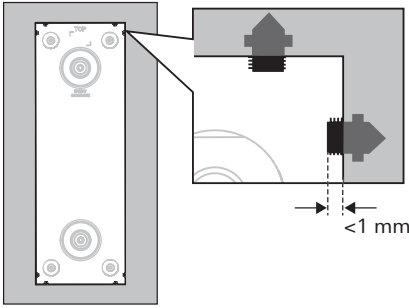
**Requirement:** The installation box fits into the front plate cut-out, which the end customer/contractor must provide.

1. Remove the protective film from the adhesive tape on the installation box.
2. Press the installation box firmly against the back of the front plate. The plastic mounting corners (A) help the installer to align the components correctly.

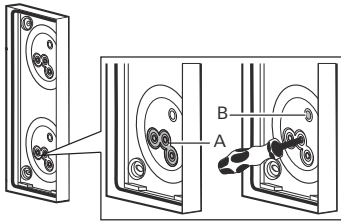


3. Do not apply any pressure to the adhesive bond for at least 15 minutes. The final strength of the bond is reached after 72 hours.
4. Remove the mounting corners and keep them with the mounting screws as they will be used later.

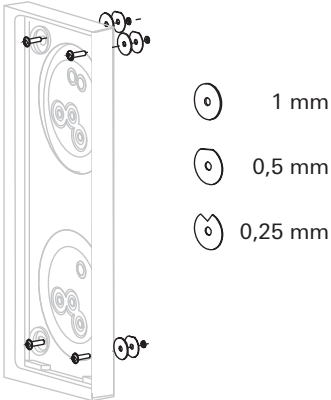
5. Ensure that the 8 positioning screws used to position the System 106 housing protrude no more than 1 mm into the front plate opening.



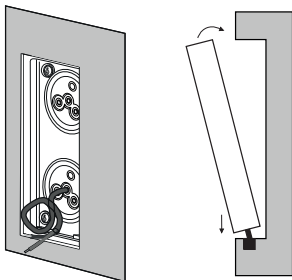
6. Pierce the housing's central opening (A) for cable insertion using a round tool (no cross-cut). Never use the diaphragm (B) for routing cables!



7. Insert the mounting screws of the mounting corners through the openings of the housing. If the front plate is thicker than 1 mm: to adjust the height of the front plate, slide washers onto the mounting screws and use an O-ring to secure them.

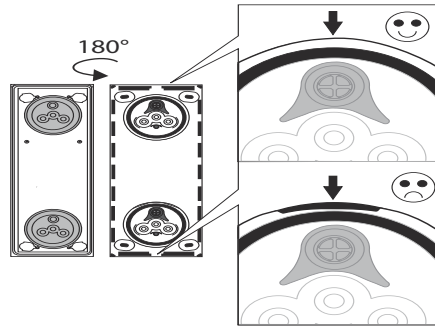


8. Pass the connection cable completely through the installation box and housing openings, insert the housing into the installation box and tighten the mounting screws (but not so tight that the housing cannot be moved).

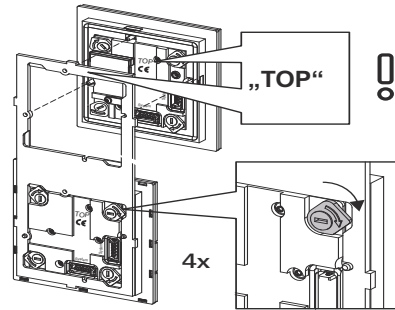


**Correct positioning of the seal caps**

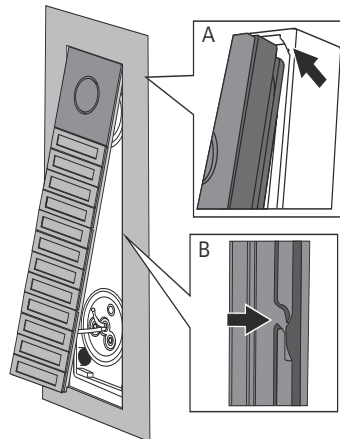
If a seal cap becomes detached during installation: reinsert the seal cap and check that it is positioned correctly to ensure tightness.



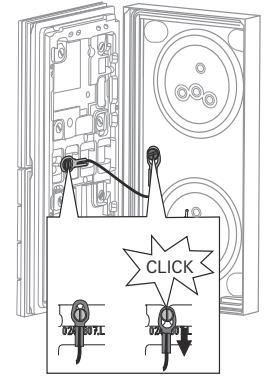
9. Insert the modules into the function carrier (observe TOP mark) and lock them in place. For detailed information about the modules, see the operating instructions for the individual modules.



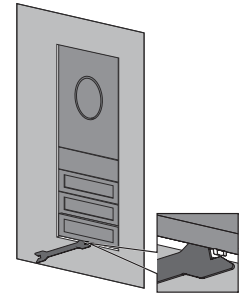
10. Pivot the function carrier into the housing (A). When installing 3- to 5-gang housings, pay attention to the additional catch mechanism (B).



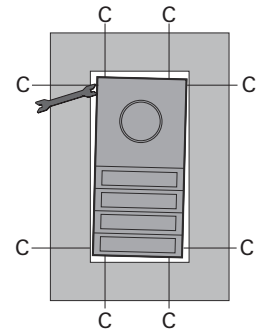
11. Fasten the safety bond (l: 120 mm).



12. Using the locking key, slightly tighten the screw for locking the housing (0.6 Nm) at an angle of 90°.



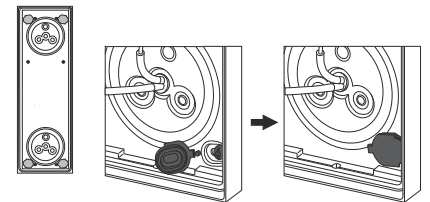
13. Use the locking key to adjust the installation box positioning screws (C) so that the gap between modules and the front plate is symmetrical. Then tighten all positioning screws.



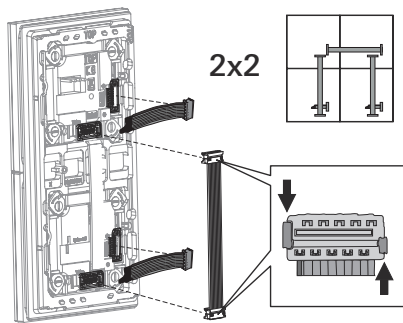
14. Disengage the function carrier, loosen the safety bond and put the function carrier plus modules to one side.

15. Tighten the mounting screws of the housing.

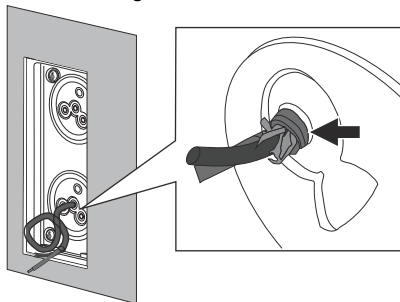
16. Press the wall fitting plugs firmly into the groove and check that they are positioned correctly.



17. Connect the terminating resistors to the function carrier with the modules, followed by the system cable. Always connect a terminating resistor to the first and last modules on the system cable. Observe the plug coding!



18. Strip the sheathing from the connection cable as close as possible to the seal cap (see arrow). The stripped part of the connection cable must not be behind the seal cap, otherwise tightness cannot be ensured.



Cut the connection cable to length and connect it to the plug terminal (A). Turn the plug terminal by 180° (B) and plug it into the connection on the voice or door station module.

## Technical data

Mounting height:	Recommended: 1.50 m
Ambient temperature:	-25°C to +70°C
Protection class	IP54

## Warranty

The warranty is provided by the retailer in accordance with the statutory requirements.

Please hand over or send faulty devices postage paid and with a description of the problem to your sales representative (retailer / installation company / electronics retailer), who will forward the devices to the Gira Service Centre.

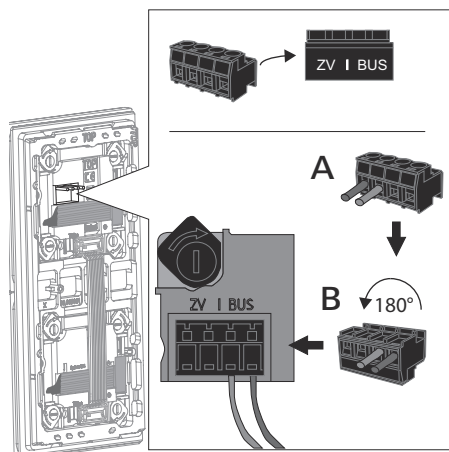
## Gira

Gira  
Giersiepen GmbH & Co KG  
Elektro-Installations-Systeme  
Postfach 1220  
42461 Radevormwald, Germany  
Phone: +49 2195 602 - 0  
Fax: +49 2195 602 - 191  
info@gira.de  
www.gira.de



### No jumpers between BUS and ZV

No jumpers may be placed between BUS and ZV on the module. The module automatically detects whether an additional power supply (ZV) is connected.



19. Fasten the safety bond (l: 120 mm) (see step 11).
20. Pivot the function carrier into the housing (A) (see step 12). Pay attention to the position of the cables and safety bond! Do not entrap any cables! When installing 3- to 5-gang housings, pay attention to the additional catch mechanism (B).
21. Using the locking key, slightly tighten the screw for locking the housing (0.6 Nm). The application angle is 90° (see step 13).