

## System 106 Call-up button / Call-up button cover plate

5541 9..  
5542 9..  
5543 9..  
5547 9..  
5549 9..

**GIRA**  
Giersiepen GmbH & Co KG  
Elektro-Installations-Systeme

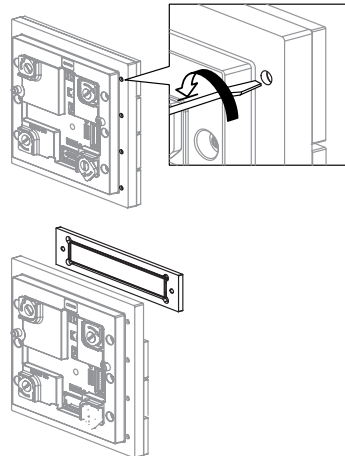
Industriegebiet Mermbach  
Dahlienstraße  
42477 Radevormwald

Post box 1220  
42461 Radevormwald  
Tel.: +49 2195 602 - 0  
Fax: +49 2195 602 - 191

[www.gira.de](http://www.gira.de)  
[info@gira.de](mailto:info@gira.de)

### Changing the call-up button

1. Open the housing and remove the mounting frame.
2. Unlock the module and remove it from the mounting frame.
3. Loosen the screws with a screwdriver (blade width 2.5 x0.4 mm) and pull off to the front.
4. Place new call button from the front and tighten (torque: 0.3 Nm).
5. Re-mount the module in the reverse order.



### Replacing the label

The label under the transparent pane can be exchanged with the included tool without a need to remove the call button.

#### Labels

Suitably designed labels are available from the Gira labelling service ([www.beschriftung.gira.de](http://www.beschriftung.gira.de)).

