

**Hallway display**  
5983 00

**Hallway display two-sided**  
5977 00

**GIRA**



## Safety instructions

---

Installation and mounting of electrical devices may only be carried out by qualified electricians.

Failure to observe the instructions can result in damage to the device, fire or other dangers. These instructions are part of the product and must stay with the end customer.

## Function

---

Hallway display with 13 to 15 digit LED display (according to font used), with 58 mm high, 5 x 7 dot matrix (red, or green with display of time and date) for display of information in the nurse call system Plus. The hallway display is integrated on the ward bus.

### Features:

- Contrast-rich, anti-reflection front panel.
- Integrated brightness control.
- 13 to 15 digit LED display with 5 x 7 dot matrix.
- Call display and time display according to configuration.
- Call display with red, time display with green digits.
- Buzzer for acoustic signalling.

# Installation and mounting

---

## Hallway display Plus (Order No. 5983 00)

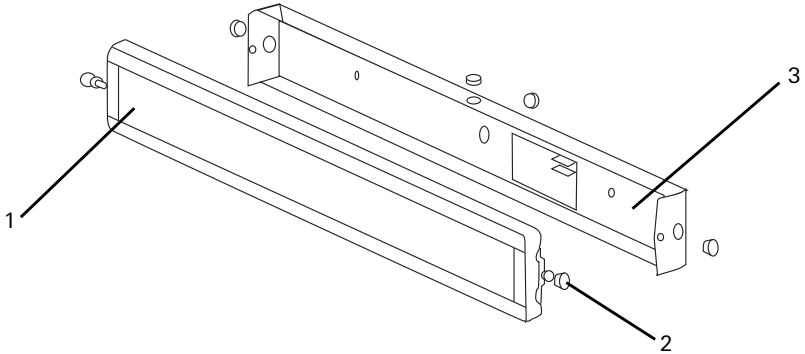


Figure 1: Hallway display Plus

### Construction:

- LED display with 5 x 7 dot matrix with display screws, cover caps and connection cable
- Display screws
- Display carrier complete with blind plugs and interface unit

### Mounting

1. Secure the display carrier to the wall.
2. Connect the display wires to the interfaces.
3. Secure the LED display to the display carrier with the display screws.



### Note

Only lightly tighten the display screws.

4. Attach the cover cap to the display screws.

## Hallway display two-sided Plus (Order No. 5977 00)

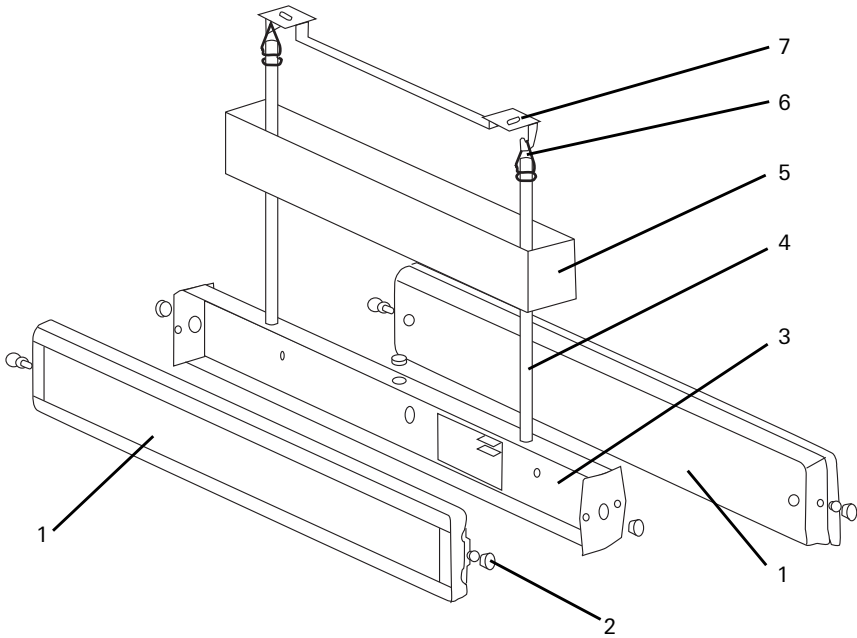


Figure 2: Hallway display two-sided Plus

### Construction:

- LED display with 5 x 7 dot matrix with display screws, cover caps and connection cable
- Display screws
- Display carrier complete with blind plugs and interface unit
- Pendant, 500 mm, complete with nut and washer
- Canopy
- Hanging
- Ceiling plate

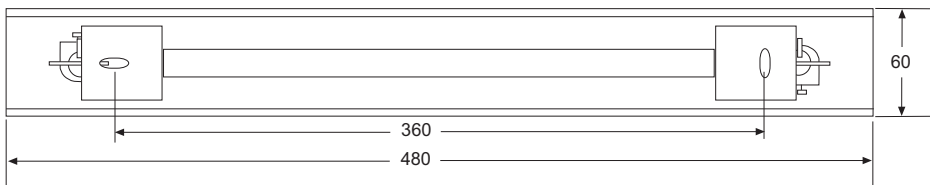


Figure 3: Ceiling mounting with canopy

## Mounting

1. Secure the ceiling plate to the ceiling (dimension 360 mm).
2. Mount both pendants together with the canopy.
3. Fasten the nut with washer to both pendants.
4. Fit the display carrier to the pendants.
5. Securely fasten the display carrier to the pendants with the nut and washer.
6. Connect the display wires to the interfaces.
7. Secure the LED display to the display carrier with the display screws.



### Note

Only lightly tighten the display screws.

8. Attach the cover cap to the display screws.

## Connections

The PCB and software are identical for both device variants; only the individual device IDs differentiate the display variants (one-sided/two-sided) in the nurse call system Plus.

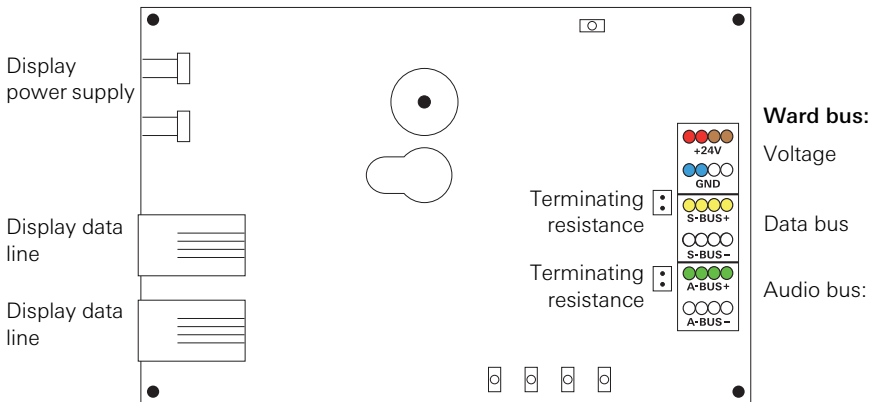


Figure 4: Connections on the hallway display PCB

The connection terminal for the ward bus is colour-coded, as with all other call system devices. With the use of J-Y(St)Y 4x2x0.8 mm, connection is "colour to colour".

On the display side, connections are differentiated for power supply and data line to the display to avoid confusion.

When the hallway display is the last device on the ward bus then both terminating resistances must be activated via jumper (included with the ward control centre).

## Technical data

---

Dimensions

Canopy: (L x W x H) 480 x 60 x 80 mm

Display carrier: (L x H) 645 x 80 mm

## Warranty

---

The warranty is provided in accordance with statutory requirements via the specialist trade. Please submit or send faulty devices postage paid together with an error description to your responsible salesperson (specialist trade/installation company/electrical specialist trade). They will forward the devices to the Gira Service Center.

Gira  
Giersiepen GmbH & Co. KG  
Electrical installation  
systems

Industriegebiet Mermbach

Dahlienstraße

42477 Radevormwald

P.O. Box 12 20

42461 Radevormwald

Germany

Phone +49 (0) 2195 / 602 - 0

Fax +49 (0) 2195 / 602 - 191

[www.gira.com](http://www.gira.com)

[info@gira.com](mailto:info@gira.com)

# GIRA