

Gira surface-mounted video home station 7

Large display. Flexible use. Simple operation.



See and hear who is at the door – with added style.

Modern door intercom with user-friendly touch display.

The surface-mounted video home station 7 combines maximum ease of use with outstanding display quality, practical speakerphone function, and simple installation. It will provide you with a convenient, high-quality image of who is at the door, so that you can be sure who you're letting in. Energy-saving technology means that no additional power supply is needed, and the system is also perfect for use in large building complexes. You have the option of mounting the home station on the wall or using a stand to place it on a piece of furniture.

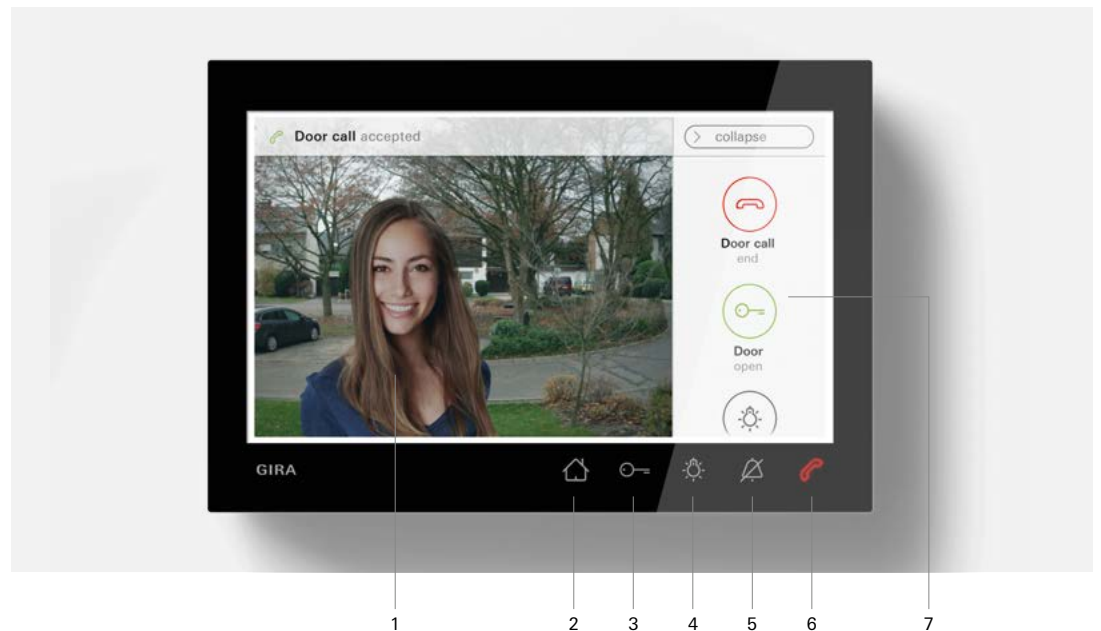


Gira surface-mounted video home station 7,
black matt

① Display and design. A clear, comprehensive overview.

The 7-inch (17.78 cm) high-resolution TFT colour screen offers extremely high-quality images and a range of individual settings, such as brightness and contrast options. The advanced IPS display technology allows the angle of vision to be widened and guarantees that the camera images in front of the door are clearly presented, even when the full-screen glass front with its large visual field is viewed at an angle. The power-saving system automatically switches on the display when there is a ring at the door. It can also be activated manually. The home station can be operated by touching any area of the display, or using five capacitive speed buttons at the bottom edge of the screen, which are also visible when the display is inactive.

- 1 7-inch touch display
- 2 Turn screen on or off, when navigating the menu: back to the main view, status display (e. g. new image in the memory)
- 3 Open door
- 4 Switch on light
- 5 Enable/disable ring tone
- 6 Accept and end door call
- 7 Menu bar expandable, retractable, and scrollable



Elegant design in black or white

Whether mounted on the wall or positioned on its stand, the Gira surface-mounted video home station 7 is available in two colours, each with a matching glass surface: pure white glossy with white glass, or black matt with black glass. Thanks to the pared down design, either variant can be

harmoniously integrated into any private living interior and is also at home on reception counters and desks in offices, doctors' surgeries, and legal practices.

Gira surface-mounted video home station 7 in pure white glossy with white glass or black matt with black glass.



The Gira surface-mounted video home station 7 with stand is ideal for use on pieces of furniture in the office.



② Operation and functions. Proper control, intuitively.

Speed buttons for simple convenience

The home station's basic functions can be controlled simply by lightly touching the icon buttons: you can accept door calls, switch on the outside light by the door or the stairwell lighting (in conjunction with a switching actuator), and open the door. The doorbell can also be muted, if desired. The pressing of a button is confirmed by an acknowledgement

tone, which can be deactivated. Confirmation by tactile feedback (vibration) is also an option. The type of button tone (tone, click, multi-frequency tone) and its volume can also be set. Multi-frequency tones and button vibration are particularly practical options for people with hearing impairments.

A home station with a wide range of options

Tones

- Up to 24 calls (door calls, internal calls, and floor calls) can be assigned to the Gira surface-mounted video home station 7. Ten pre-installed ringtones are available to help you manage the calls, but all or any of these can be replaced by your own melodies. To do this, you will need an SD card.

External camera

- The home station can be linked with up to 20 cameras at a variety of locations, such as the main entrance, garden or side entrance, stairwell or cellar door.

Auto function

- The automatic door opening function is an optional feature that works by automatically triggering the door opener whenever there is a ring at the door. A practical function for doctors' surgeries, for example.

Image memory

- A customisable, internal image memory offers capacity for up to 200 images, which can be stored manually or automatically when someone rings at the door. So even if you weren't at home yourself, you can look later and see who came by. The internal images can also be manually saved onto an external SD card.

Favourites

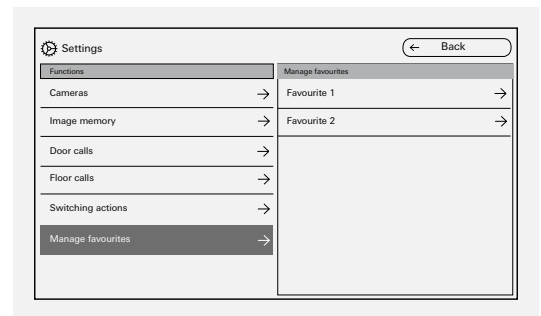
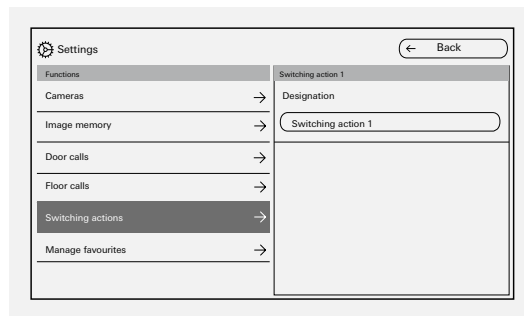
- Two favourites can be defined and displayed in the on-screen menu bar via the "Manage favourites" function. Personal switch operations that you frequently perform are good choices for favourites, for example "Call children's bedroom" or "Turn on entrance light".

③ Start-up and installation. Suitable for large and small properties.

The Gira surface-mounted video home station 7 can be used both in single-family homes and apartment buildings. It can be installed using two-wire bus technology for up to 28 devices, without the need for an additional power supply or a great deal of cabling work.

Your electrician, aided by the Gira Project Assistant (GPA), will define all the settings during start up – device parameters, image memory, door calls, and much more. Particularly practical for rented properties. These settings can be saved onto a microSD card as a back-up. Changes to settings can be optionally protected by use of a PIN. Practical for apartment buildings or holiday apartments. The electrician can leave their contact details on the device as a digital business card, so that you can get hold of them easily if you need rapid assistance. Firmware updates can also be easily installed via a microSD card. The usual push-button start-up is also possible, of course.

All functions and device parameters can be easily and clearly adjusted using the settings menu, or installed with the aid of the GPA.



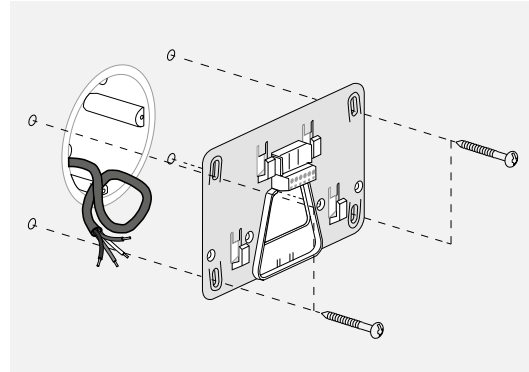
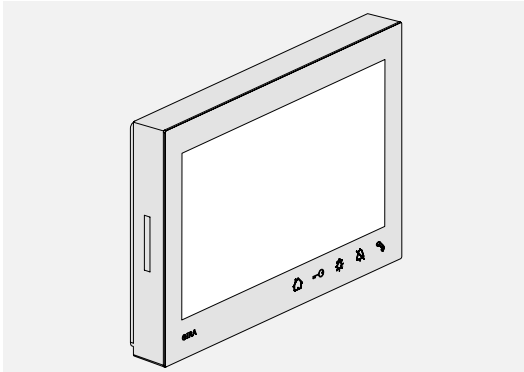
Sharp views: Modern IPS technology reduces the viewing angle dependency.

Easy installation without much mess or effort

As the home station works via the traditional two-wire bus of the doorbell system, there is very little installation work involved. A mounting plate merely has to be attached to the wall to install the device.

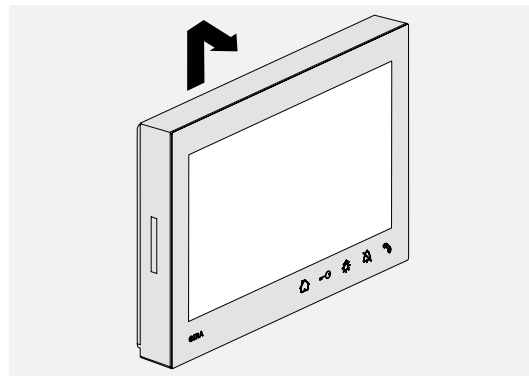
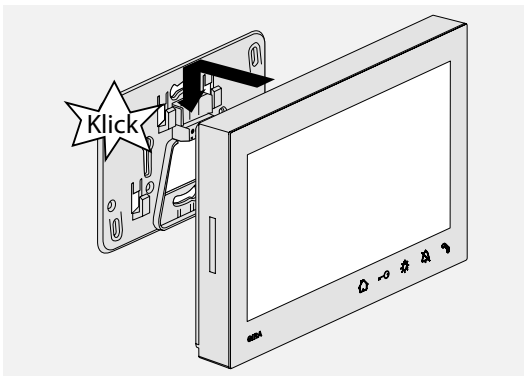
Thanks to its slim dimensions (W/H/D: 181 × 123 × 24 mm), low profile height of only 26 mm, and straightforward design, there is a suitable space for the home station in any entrance area.

When mounting the home station on the wall, an installation height of 1.60–1.70 m is recommended. Be sure to pick an even surface to mount it on.



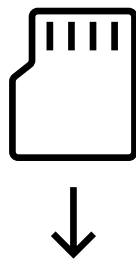
The home station's mounting plate should be fixed centrally over the cable outlet.

Then simply lay the home station on the mounting plate and push downwards until it audibly locks into place.



To remove the home station, support the sides and push firmly upwards with your thumbs until it is released by the catch mechanism.

④ Data backup. Once installed, saved forever.



If there is a power outage, your device settings will be retained. If a device has to be replaced, all the data can simply be stored on an SD card. To do this, you need a microSD card in the Format FAT 32 with at least 500 MB of memory. Besides its back-up function, the SD card can be used to import ringtones and export images. More information on this can be found in the installation guide.

GIRA

Gira
Giersiepen GmbH & Co. KG
Electrical installation systems

Industriegebiet Mermbach
Dahlienstrasse
42477 Radevormwald

PO Box 12 20
42461 Radevormwald

Germany

Phone +49 2195 602-0
Fax +49 2195 602-119

www.gira.com
info@gira.com

Interface design
schmitz Visuelle Kommunikation
hgschmitz.de

Concept, editing:
piratas Werbeagentur
www.piratas.de

Picture credits:
piratas Werbeagentur,
vimago GmbH

Lithography:
vimago GmbH

Technical data

Gira surface-mounted video home station 7

Gira indoor station for door intercoms

- High-quality materials and compact dimensions
- Dimensions W/H/D:
181 × 123 × 24 mm
Profile height: 26 mm
- Can be mounted on the wall or positioned on the stand
- High-resolution screen with touch function and tactile feedback
- Clear image via 7-inch display with wide rotary angle of vision thanks to IPS technology
- Speakerphone function
- Convenient operation using icons
- Intuitive control of basic functions with speed dial buttons
- Ten pre-installed ringtones that you can replace with your own melodies if you wish
- Languages:
DE, EN, NL, FR, IT, ES, CN
- Up to 28 surface-mounted video home stations 7 can be fully supplied via two-wire bus technology, without no need for extra voltage.
- During start-up, all device settings can be defined directly via the menu or with the aid of the Gira Project Assistant (GPA).

Product range

- Surface-mounted video home station 7, pure white glossy
Order no. 1209 03
- Surface-mounted video home station 7, black matt
Order No. 1209 005
- Stand, pure white glossy
Order no. 1282 03
- Stand, black matt/aluminium
Order no. 1282 005

Subject to technical modifications. Current prices are available in the Gira catalogue, and in the Gira online catalogue at www.catalogue.gira.com